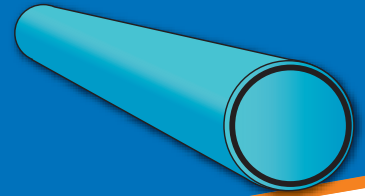




PIP™ Low Head

SPECIFICATION DATA



PIP SPECIFICATION DATA

Diamond Low-Head PIP is made of compounds conforming to material requirements of ANSI/ASAE S3761.1 and SCS 430-EE. The Pipe sizes (6" through 15") 50 psi are made with an integral bell to utilize a gasket for sealing, meeting requirements as defined in ASTM F477. 100 ft. hd. is made with an integral bell for solvent cement joint assembly.

Diamond Low-Head PIP PVC pipe meets all the requirements as outlined in ANSI/ASAE S376.1 and SCS 430 EE.

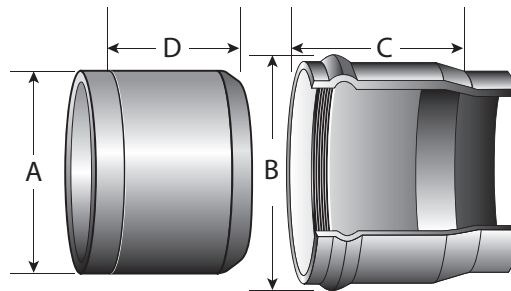
Each male end shall be beveled, swagged or deburred to facilitate joining and gasketed joints shall be marked to reference proper insertion depth. Only Diamond furnished lubricant is to be used in the joining process.

It is recommended that Low-Head PIP PVC piping systems be designed and installed in accordance with SCS 430-EE.

Standard length is either 44 foot or 22 foot, depending upon diameter.



Reiber Joint Illustration



Pipe Dimensions: minimum wall thickness

PIP

SPECIFICATION DATA

Strength

Nominal Pipe Size	Outside Diameter A Inches	Bell Socket Diameter B Inches	Bell Depth C Inches	Insert Mark D Inches	SDR 81 50 PSI (t) Inches
6" x 44'	6.140	7-1/2"	5-1/2"	4-1/2"	0.076
8" x 44'	8.160	10"	5-1/2"	4-1/2"	0.101
10" x 44'	10.200	12"	6-1/2"	5-1/2"	0.126
12" x 44'	12.240	14"	6-1/2"	5-1/2"	0.151
15" x 22'	15.300	17-1/2"	7"	6"	0.212



"Possession of this page does not constitute an offer of sale

DIAMOND PLASTICS®
CORPORATION



IRRIGATION-MART
we SAVVY irrigation
800-SAY-RAIN | www.irrigation-mart.com

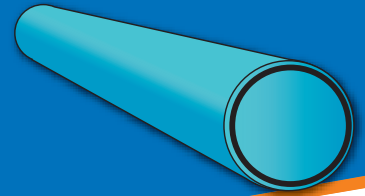
200 South Service Road East | Ruston, LA 71270-3442
P: 318-255-1832 | F: 318-255-7572 | info@irrigation-mart.com

13799 Airline Highway | Baton Rouge, LA 70817-5924
P: 225-755-3447 | F: 225-755-1240



Pressure Rated PIP

SPECIFICATION DATA



PIP SPECIFICATION DATA

Diamond PIP pressure-rated pipe (4" through 27") is made of compounds conforming to material requirements of ANSI/ASAE S376.1 and SCS 430-DD. The pipe sizes (6" through 27") are made with an integral bell to utilize a gasket for sealing, meeting requirements as defined in ASTM F477.

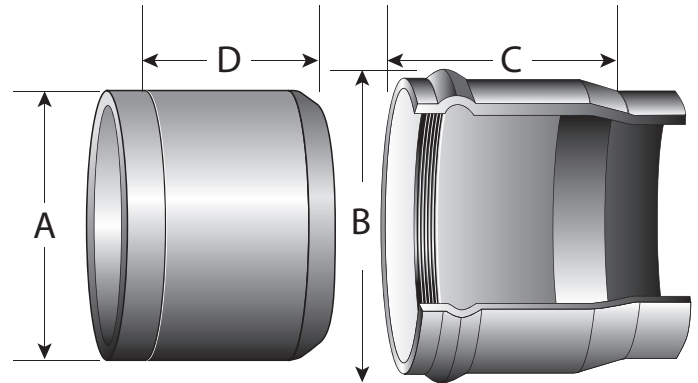
Diamond PIP pressure-rated PVC pipe meets all the dimensional, chemical and physical requirements as outlined in ANSI/ASAE S376.1 and SCS 430-DD. Diamond PIP pressure-rated pipe (15" through 27") meets all the dimensional, chemical and physical requirements as defined in ASTM DD2241 ANNEX.

Each male end shall be beveled, swagged or deburred to facilitate joining and shall be marked to reference proper insertion depth. Only Diamond furnished lubricant is to be used in the joining process.

It is recommended that PIP Pressure-Rated PVC Piping systems be designed and installed in accordance with SCS 430-DD.

Diamond PIP Pressure-Rated PVC pipe is supplied in 22-foot laying lengths.


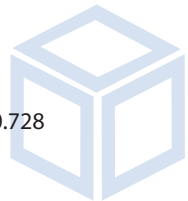
Reiber Joint Illustration



Minimum Wall Thickness = (t)

Pressure Rated PIP SPECIFICATION DATA

Tested

Nominal Pipe Size	Outside Diameter A Inches	Bell Socket Diameter B Inches	Bell Depth C Inches	Insert Mark D Inches	SDR-51	SDR-41	SDR-32.5	SDR-26	SDR-21	
					80 PSI	100 PSI	125 PSI	160 PSI	200 PSI	
MINIMUM WALL THICKNESS										
4"	4.130					0.101	0.127			
6"	6.140	7-1/2"	5-1/2"	4-1/2"	0.120	0.150	0.189			
8"	8.160	10"	5-1/2"	4-1/2"	0.160	0.199	0.251			
10"	10.200	12"	6-1/2"	5-1/2"	0.200	0.249	0.314			
12"	12.240	14"	6-1/2"	5-1/2"	0.240	0.299	0.377			
15"	15.300	17-1/2"	7"	6"	0.300	0.373	0.471	0.588	0.728	
18"	18.701	21-1/2"	8"	7"	0.367	0.456	0.575	0.719		
21"	22.047	25-1/4"	8"	7"	0.432	0.538	0.678			
24"	24.803	28"	9"	8"	0.486	0.605	0.763			
27"	27.953	32-1/2"	12"	9-1/2"	0.548	0.682	0.860			

"Possession of this page does not constitute an offer of sale

Socket & Minimum Wall Dimensions, all dimensions are in inches



IRRIGATION-MART
we SAVVY irrigation
800-SAY-RAIN | www.irrigation-mart.com

200 South Service Road East | Ruston, LA 71270-3442
P: 318-255-1832 | F: 318-255-7572 | info@irrigation-mart.com

13799 Airline Highway | Baton Rouge, LA 70817-5924
P: 225-755-3447 | F: 225-755-1240