

7

6

5

4

3

2

1

E

D

C

B

A

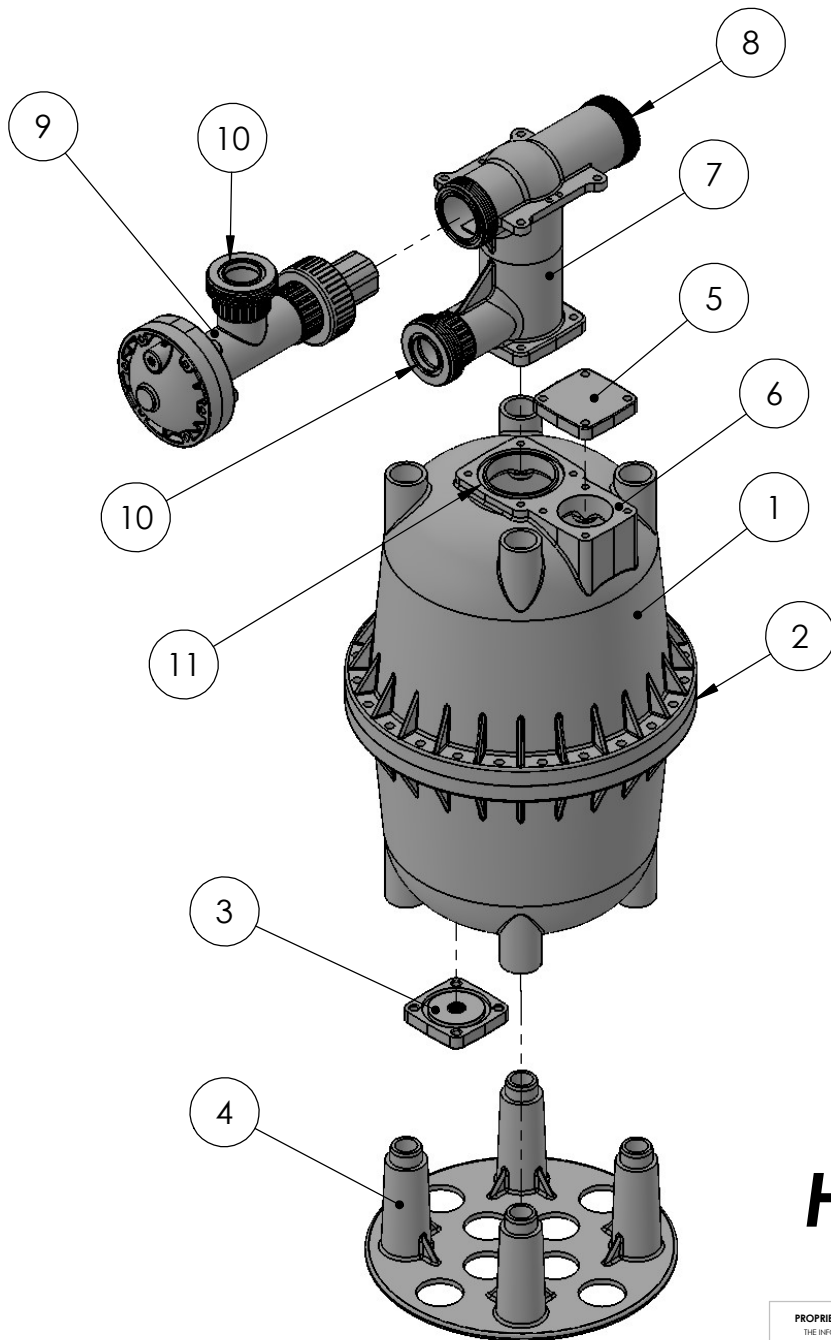
E

D

C

B

A



PART#

- 1) **WTA-TANK ONLY**
-COMPLETE 12" FILTER TANK WITHOUT VALVE
- 2) **WT-110**
-TANK ORING 315mm x 7mm
- 3) **WTA-183DC**
-SAND FILL DRAIN CAP
- 4) **WT-142**
-FILTER BASE
- 5) **WT-104**
-SAND FILL CAP
- 6) **WT-197**
-SAND FILL FLANGE GASKET
- 7) **WTA-200**
-BACK FLUSH VALVE SUB A
- 8) **WT-159**
-VALVE UPPER BODY O-RING -227
- 9) **WTA-201**
-BACK FLUSH VALVE SUB B
- 10) **390-012**
-1 1/2" UNION O-RING-223
- 11) **WT-139**
-VALVE/CAP O-RING-339



PROPRIETARY AND CONFIDENTIAL
 THE INFORMATION CONTAINED IN THIS DRAWING IS THE SOLE PROPERTY OF HIT PRODUCTS CORP. ANY REPRODUCTION IN PART OR AS A WHOLE WITHOUT THE WRITTEN PERMISSION OF HIT PRODUCTS CORP IS PROHIBITED.

UNLESS OTHERWISE SPECIFIED:		NAME	DATE	HIT PRODUCTS CORP
DIMENSIONS ARE IN INCHES		DRAWN	CS	
TOLERANCES:		CHECKED		TITLE:
FRACTIONAL ±		ENG APPR.		12" TANK
ANGULAR: MACH ±	BEND ±	MOLD#		PART NUMBERS
TWO PLACE DECIMAL ±		COMMENTS:		
THREE PLACE DECIMAL ±				
INTERPRET GEOMETRIC TOLERANCING PER:				SIZE
MATERIAL				DWG. NO.
FINISH				REV
				SHEET 1 OF 1

7

6

5

4

3

2

1