



Assembly Instructions

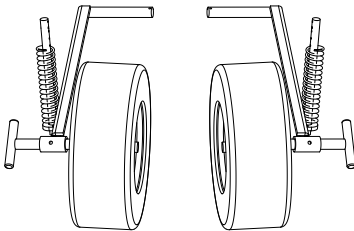
MODEL 2470
RAISED BED PLASTIC MULCH LAYER

STEP 1

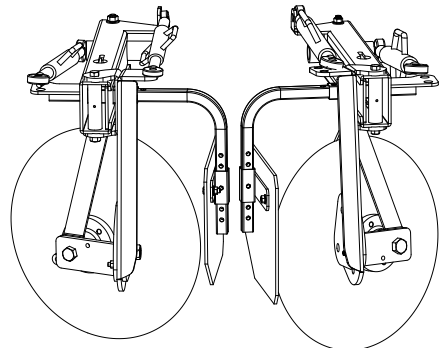
Unpackage & Count Parts/Assemblies



Standard Parts Shipped with Model 2470:



Press Wheel Set



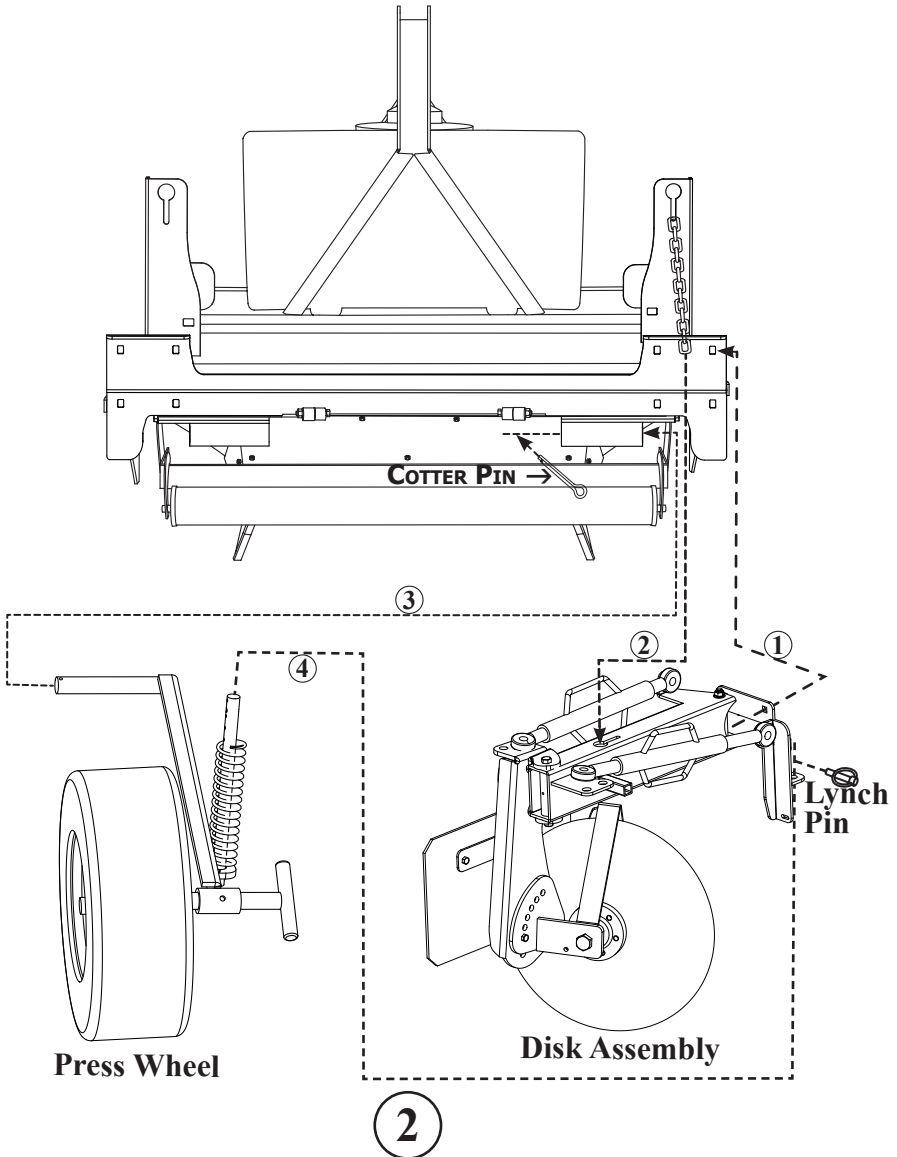
Cover Disk w/ Dirt Shield Set

STEP 2

INSTALLING DISKS & PRESS WHEELS

- ① Bolt disk assemblies to back of machine using pre-installed bolts.
- ② Install chains (chains support disks when machine is raised).
- ③ Install press wheels and secure with pre-installed cotter pin.
- ④ Slide spring rod through bracket on disk assembly and secure with pre-installed lynch pin.

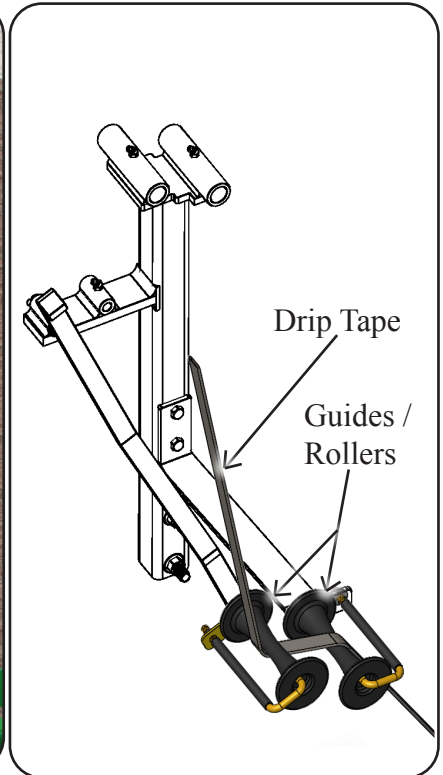
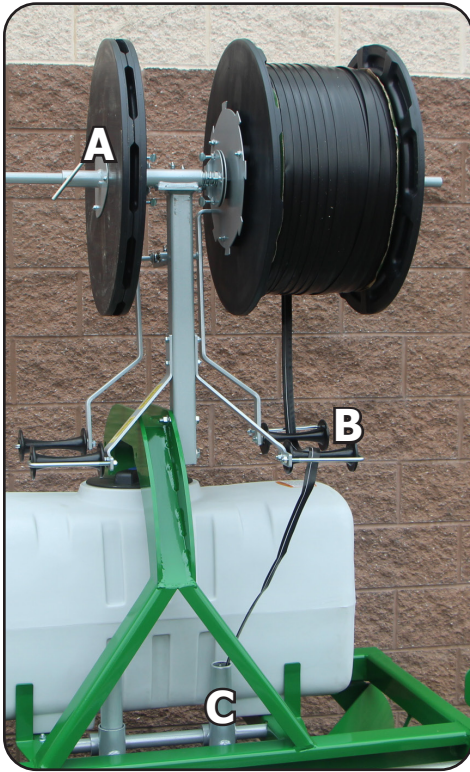
See Operating Manual for Adjustments



STEP 3

INSTALLING DRIP TAPE

See Operating Manual for Adjustments



Remove plate with locking clamp(A). Slide drip roll onto rod, press plate(A) tight against roll and tighten tee-handle on clamp. Feed drip tape through swing arm guide and stationary guide(B) (See Sketch) then into drip line down pipe(C).

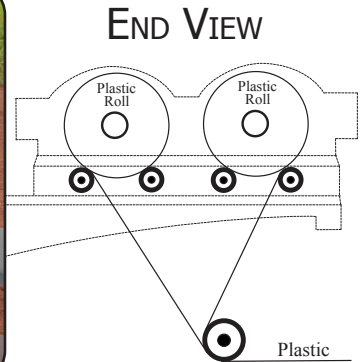
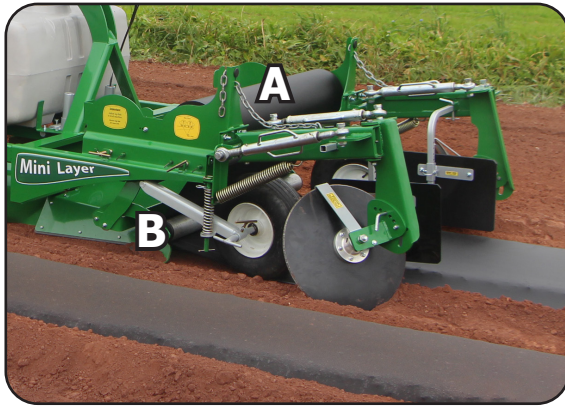
Note; Turn drip emitters up toward plastic for less clogging, and make sure drip roll is compressed firmly between plates for positive braking effect.

STEP 4

INSTALLING PLASTIC

See Operating Manual for Adjustments

Place plastic rolls on top of rollers(A). Pull end of plastic down in between rollers and underneath bottom roller(B). Secure plastic and drip tape at end of row. Only feed from one roll at a time.



WATER TANK

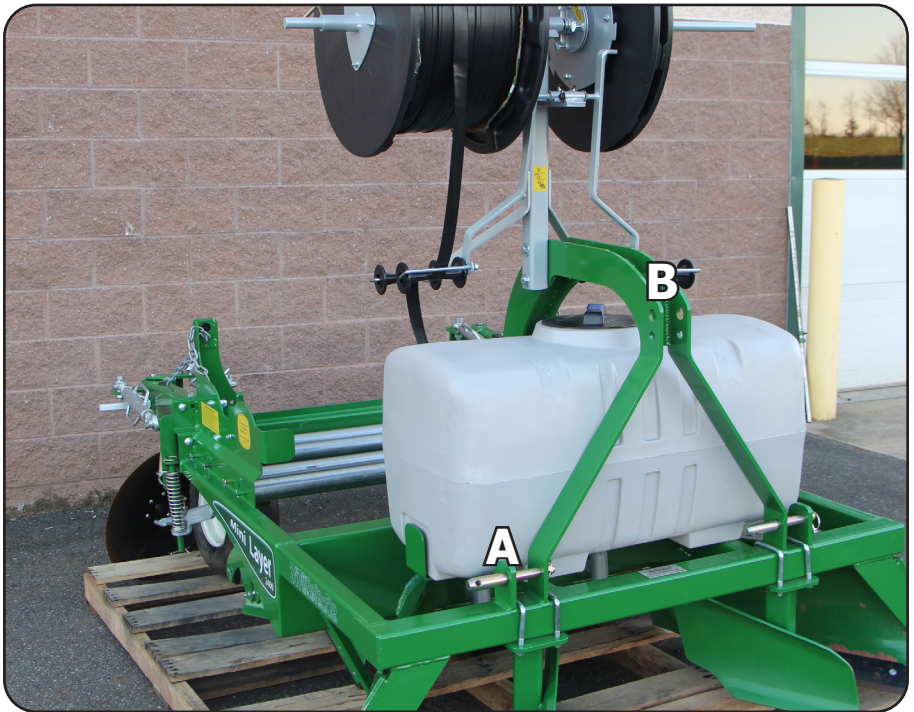


The Mini Layer has a 50 gallon water tank for weight to make a firm bed. Add as much water (weight) as possible without exceeding the tractor's lifting capacity. The 3-point top link can be lengthened if pulling too much soil.

STEP 5

TRACTOR HOOK-UP

The Model 2470 has Category I and II lift pins(A) on a 3-point hitch. Hook up 3-point top link to top of A-frame(B) and adjust top link to level machine. Use top hole for higher lift. See Operators Manual for more details on adjusting top link according to soil conditions.



~2021 Edition~



Rain-Flo Irrigation
(717) 445-3000