



# **Assembly Instructions**

---

**MODEL 2670**  
**RAISED BED PLASTIC MULCH LAYER**

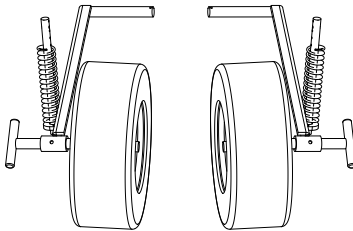
---

# STEP 1

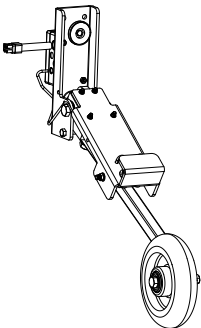
## Unpackage & Count Parts/Assemblies



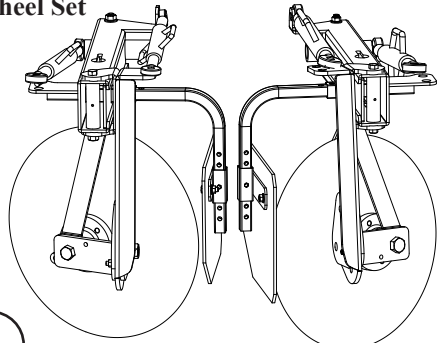
**Standard Parts Shipped with Model 2670:**



**Press Wheel Set**



**Ro-Trak Sensor  
(With Optional Auto Ro-Trak)**



**Cover Disk w/ Dirt Shield Set**

**1**

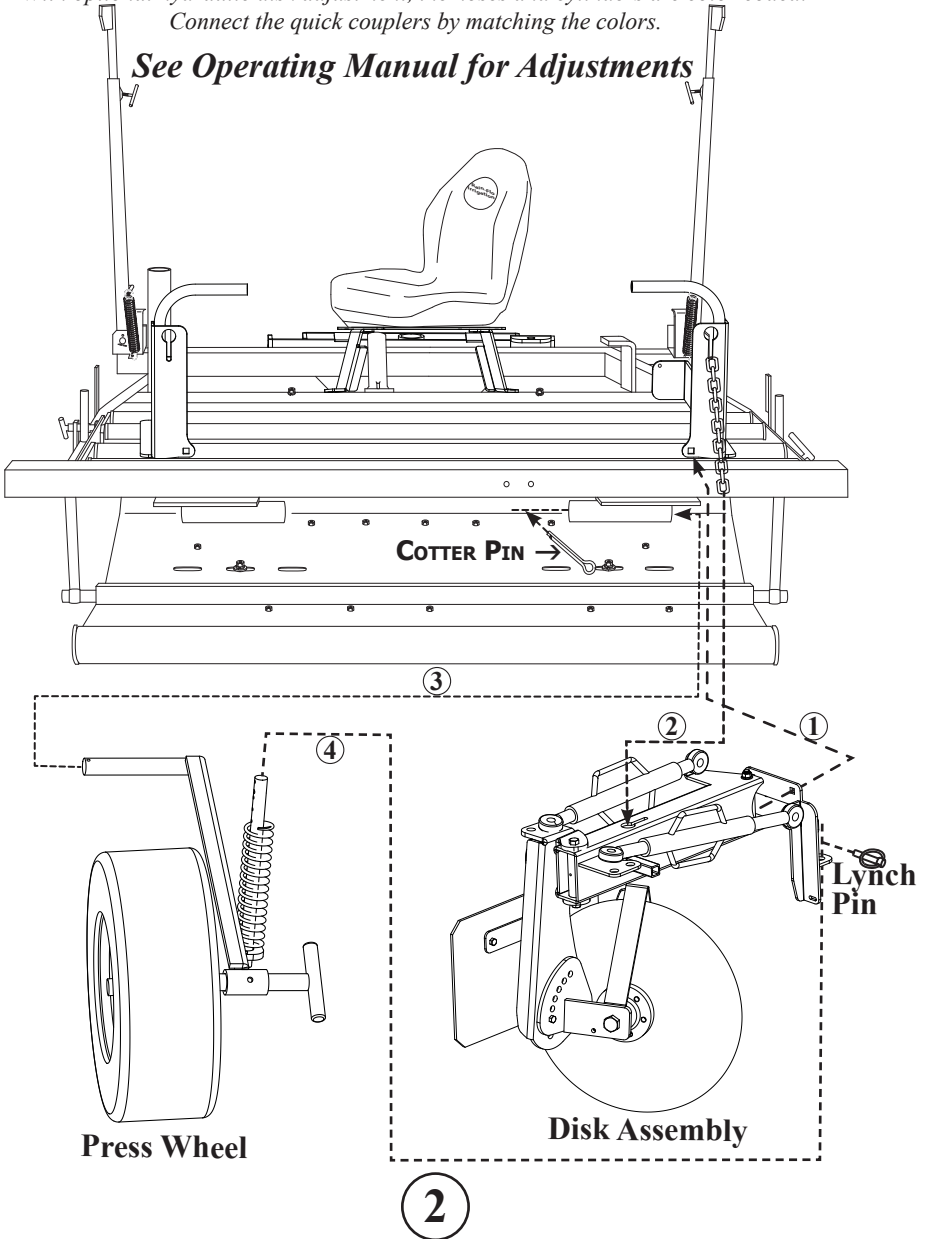
# STEP 2

## INSTALLING DISKS & PRESS WHEELS

- ① Bolt disk assemblies to back of machine using pre-installed bolts.
- ② Install chains (chains support disks when machine is raised).
- ③ Install press wheels and secure with pre-installed cotter pin.
- ④ Slide spring rod through bracket on disk assembly and secure with pre-installed lynch pin.

*With optional hydraulic disk adjustment, the hoses and cylinders are color coded.  
Connect the quick couplers by matching the colors.*

***See Operating Manual for Adjustments***



# STEP 3

## SIDE SHOVELS

Side shovels are upside down for shipping. Rotate so blade is on bottom and springs point to the back as shown below on right.

*See Operating Manual for Adjustments*

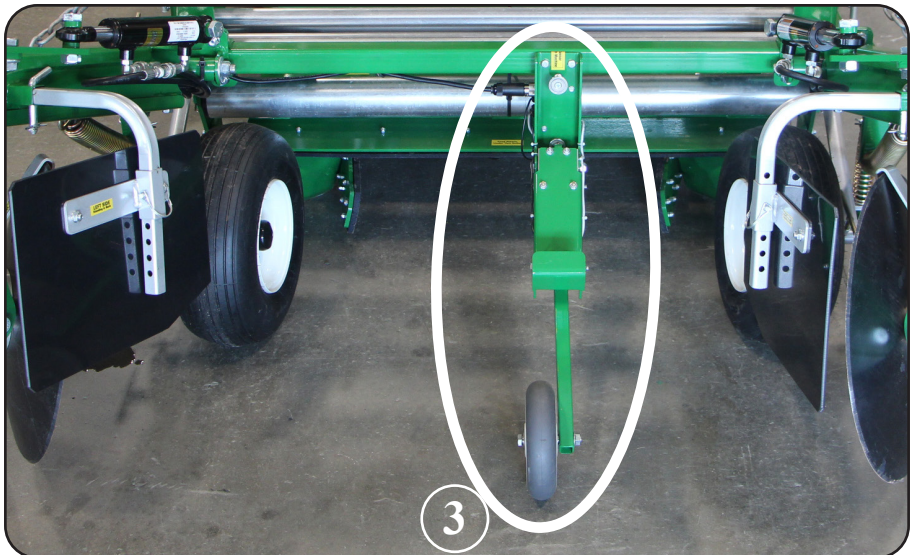


# STEP 4

## INSTALLING RO-TRAK SENSOR

(ONLY MACHINES WITH OPTIONAL AUTO RO-TRAK)

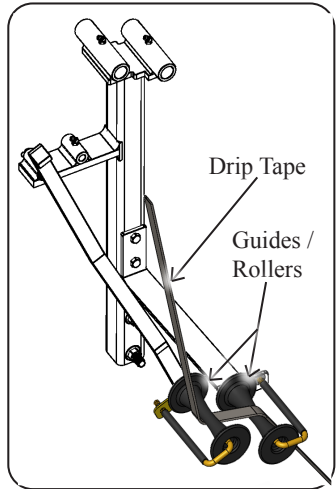
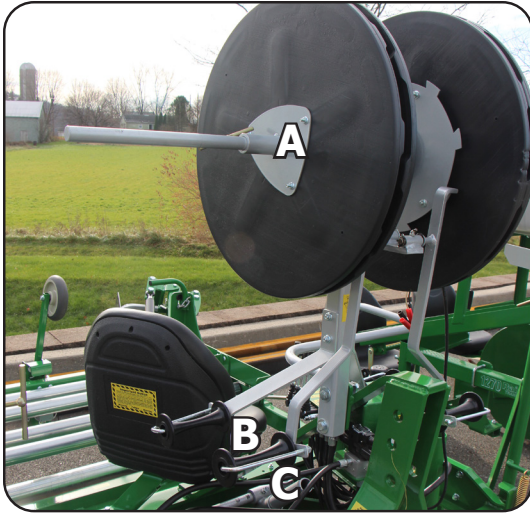
Square sensor with machine and fasten with pre-installed bolts.  
Connect wire plug to the grey box on sensor and tighten collar finger tight.



# STEP 4

## INSTALLING DRIP TAPE AND PLASTIC

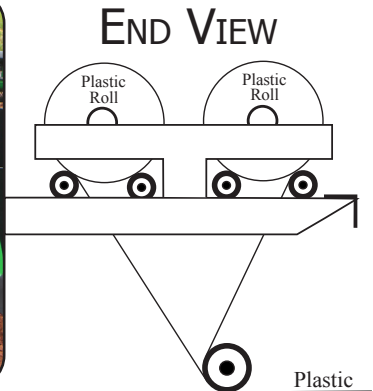
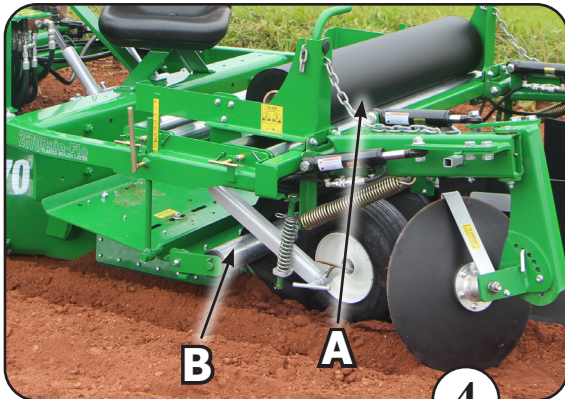
*See Operating Manual for adjustments.*



**Drip Tape:** Remove plate with locking clamp(A). Slide drip roll onto rod, press plate(A) tight against roll and tighten tee-handle on clamp. Feed drip tape through swing arm guide and stationary guide(B) then into down pipe(C).

**Note;** Turn drip emitters up toward plastic for less clogging, and to avoid damaging drip tape with the press pan, adjust down pipe about 1- 2” below the plastic mulch. Also make sure drip roll is compressed firmly between plates for positive braking effect.

**Plastic:** Place plastic rolls on top of rollers(A). Pull end of plastic down in between rollers and underneath bottom roller(B). Secure plastic and drip tape at end of row. Only feed from one roll at a time.



# STEP 5

## TRACTOR HOOK-UP

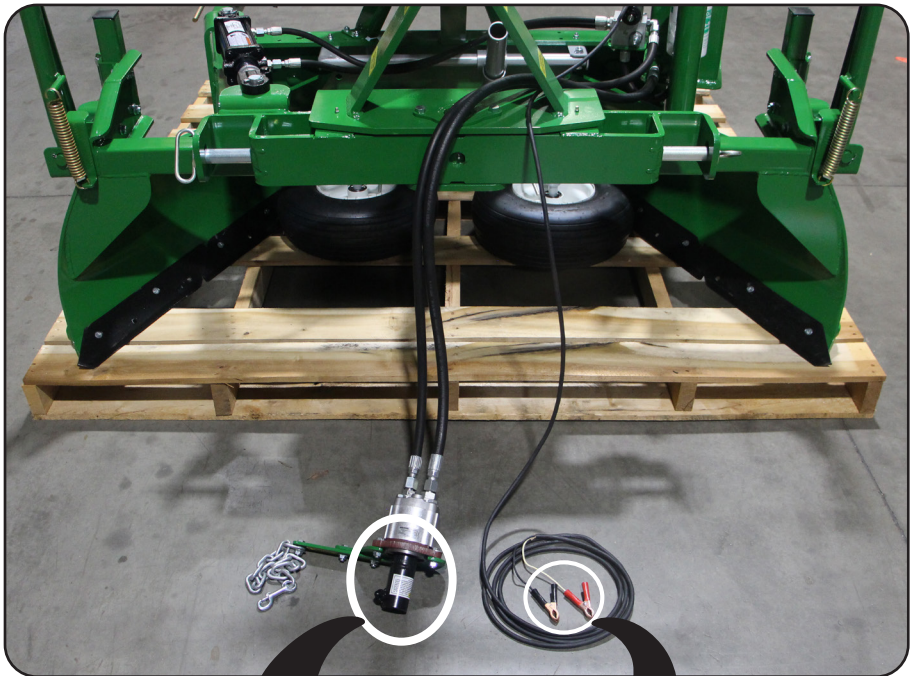
Hook up tractor's 3-point arms and top link to machine. Use top link to level machine. See Operators Manual for more details on adjusting top link according to soil conditions.

**For machines with optional Auto Ro-Trak (shown below):**

Slide hydraulic pump on tractor's pto shaft and connect battery clips to tractor's 12V battery. You can also mount a 12V battery on machine.

**For machines with Manual Ro-Trak:**

Connect two hydraulic hoses to tractor's rear hydraulic remotes.



Hook Up to Tractor PTO.

Connect to 12V Battery.

5

~2021 Edition~



Rain-Flo Irrigation  
(717) 445-3000