

GEP Series

CAST IRON EFFLUENT PUMP



FEATURES

- Reliable mechanical switch coupled with solid float for dependable performance
- Cast iron motor housing allowing for optimal heat dissipation
- Engineered motor designed for peak hydraulic performance without overloading
- Premium mechanical seal design provides superior protection against sand and abrasive damage (Silicon Carbide/Silicon Carbide/BUNA)
- Cast iron vortex impeller can handle solids up to 3/4" in size
- Available in automatic and manual models
- Durable cast iron base for stability
- Built-in vent hole prevents air-binding with no added labor

- All models have NEMA three prong grounding plugs
- Corrosion resistant hardware for lifetime use
- Approved for residential use (CSA/CUS Listed)
- 3 year warranty

APPLICATIONS

Specially designed for the following uses:

- Basement draining
- Water transfer
- Dewatering
- Filtered effluent

PRODUCT SPECIFICATIONS

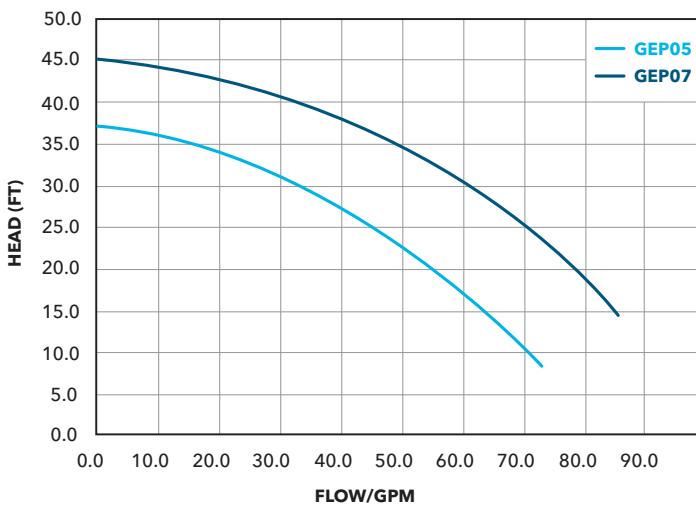
Order No.	Cord (ft.)	HP	Volts	Amps	Minimum Circuit Breaker	Phase	Operation	Float Switch Type	Discharge Connection (in.)	Solids Size (in.)	Minimum On Level (in.)	Minimum Off Level (in.)	Minimum Basin Diameter (in.)	Shipping Weight (lbs.)
GEP0511	10'	1/2	115	9.5	15A	1	Automatic	Vertical	1 1/2"	3/4"	8"	3"	12"	44
GEP0511M	10'	1/2	115	9.5	15A	1	Manual	Not Supplied	1 1/2"	3/4"	8"	3"	12"	44
GEP0511 20	20'	1/2	115	9.5	15A	1	Automatic	Vertical	1 1/2"	3/4"	8"	3"	12"	45.5
GEP0511M 20	20'	1/2	115	9.5	15A	1	Manual	Not Supplied	1 1/2"	3/4"	8"	3"	12"	45.5
GEP0511 30	30'	1/2	115	9.5	15A	1	Automatic	Vertical	1 1/2"	3/4"	8"	3"	12"	47
GEP0511M 30	30'	1/2	115	9.5	15A	1	Manual	Not Supplied	1 1/2"	3/4"	8"	3"	12"	47
GEP0512	10'	1/2	230	4.5	15A	1	Automatic	Vertical	1 1/2"	3/4"	8"	3"	12"	45
GEP0512M	10'	1/2	230	4.5	15A	1	Manual	Not Supplied	1 1/2"	3/4"	8"	3"	12"	45
GEP0512 20	20'	1/2	230	4.5	15A	1	Automatic	Vertical	1 1/2"	3/4"	8"	3"	12"	46.5
GEP0512M 20	20'	1/2	230	4.5	15A	1	Manual	Not Supplied	1 1/2"	3/4"	8"	3"	12"	46.5
GEP0512 30	30'	1/2	230	4.5	15A	1	Automatic	Vertical	1 1/2"	3/4"	8"	3"	12"	48
GEP0512M 30	30'	1/2	230	4.5	15A	1	Manual	Not Supplied	1 1/2"	3/4"	8"	3"	12"	48
GEP0711	10'	3/4	115	11	15A	1	Automatic	Vertical	1 1/2"	3/4"	8"	3"	12"	47
GEP0711M	10'	3/4	115	11	15A	1	Manual	Not Supplied	1 1/2"	3/4"	8"	3"	12"	47
GEP0711 20	20'	3/4	115	11	15A	1	Automatic	Vertical	1 1/2"	3/4"	8"	3"	12"	48.5
GEP0711M 20	20'	3/4	115	11	15A	1	Manual	Not Supplied	1 1/2"	3/4"	8"	3"	12"	48.5
GEP0711 30	30'	3/4	115	11	15A	1	Automatic	Vertical	1 1/2"	3/4"	8"	3"	12"	50
GEP0711M 30	30'	3/4	115	11	15A	1	Manual	Not Supplied	1 1/2"	3/4"	8"	3"	12"	50
GEP0712	10'	3/4	230	5.5	15A	1	Automatic	Vertical	1 1/2"	3/4"	8"	3"	12"	48
GEP0712M	10'	3/4	230	5.5	15A	1	Manual	Not Supplied	1 1/2"	3/4"	8"	3"	12"	48
GEP0712 20	20'	3/4	230	5.5	15A	1	Automatic	Vertical	1 1/2"	3/4"	8"	3"	12"	49.5
GEP0712M 20	20'	3/4	230	5.5	15A	1	Manual	Not Supplied	1 1/2"	3/4"	8"	3"	12"	49.5
GEP0712 30	30'	3/4	230	5.5	15A	1	Automatic	Vertical	1 1/2"	3/4"	8"	3"	12"	51
GEP0712M 30	30'	3/4	230	5.5	15A	1	Manual	Not Supplied	1 1/2"	3/4"	8"	3"	12"	51

AGENCY LISTINGS



Tested to UL778 CAN 22.2 by CSA International (Canadian Standards Association)

PERFORMANCE CURVES

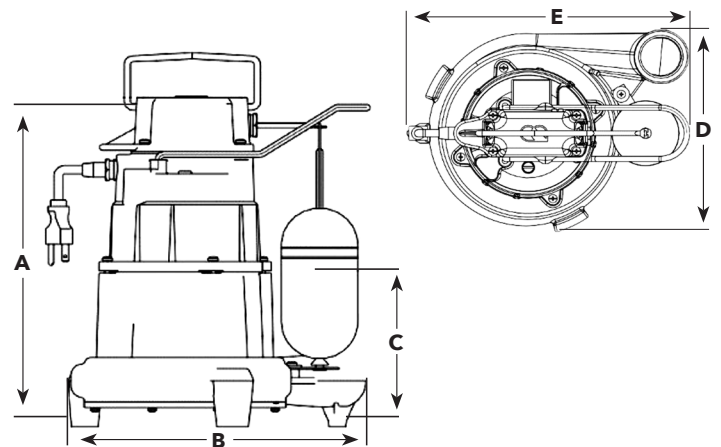


REPAIR PARTS

Part Description	Part No.	Part
SWITCH	9K701	Switch Assembly with Gasket and Hardware

DIMENSIONS

	A	B	C	D	E
All Models	12.74"	11.1"	6"	8.86"	12.01"



Xylem Inc.
2881 East Bayard Street Ext., Suite A
Seneca Falls, NY 13148
Phone: (866) 325-4210 • Fax: (888) 322-5877
www.xylem.com/goulds

Xylem is a registered trademark of Xylem Inc., or one of its subsidiaries.
Goulds is a registered trademark of Goulds Pumps, Inc. and is used under license.
© 2022 Xylem Inc. GEPSERSALES R2 May 2022

**COMPLETE.
RELIABLE. BLUE.**

Learn more about our complete line of wastewater products.

