



Most Trusted Traveling Irrigation Systems Since 1964

Kifco T25x750 Ag-Rain® Water-Reel®



- Turbine Driven Water-Reel® with 2.5" ID x 750' MDPE Tube
- Portable, Simple, Reliable irrigation for pastures, cash crops, reclamation, mining and construction sites, and large sports complexes
- The UV resistant MDPE Tube is extremely durable and carries a 5 year pro-rated warranty against manufacturing defects
- Rugged construction proven by over 40 years of production and over 35,000 Kifco Water-Reels® sold
- Industry leading products with service and distribution at over 200 authorized dealers

Applicable Markets



Agriculture



Pastures and Cash Crops



Reclamation, Mining and Construction Sites

Standard Features and Benefits

- Extremely efficient radial turbine provides retraction speed control
- A two speed gearbox and three pulley settings provide six speed operation
- Taky (Electronic Tachometer) which measures retraction speed, length of run, tube remaining and time to end of run
- Liquid filled inlet pressure gauge
- 30' x 3" supply hose with 4" male ring lock supply end
- Tube mis-wrap safety shutoff
- Automatic shutoff of drive mechanism
- Chain operated level wind system
- Speed compensation for consistent retraction speeds for entire length of run
- Adjustable width guncart for added stability
- Hand crank operated guncart lift
- Heavy duty hand crank stabilizer legs
- Drawbar hitch for easy towing
- Single axle galvanized heavy duty chassis
- Hand operated jack
- Ball bearing turntable

1 Year Manufacturer's
Warranty

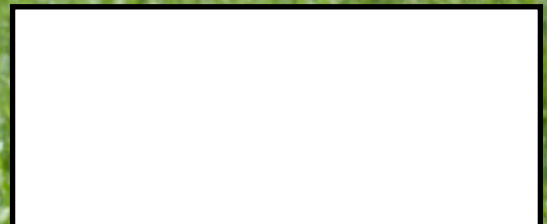
5 Year Pro-Rated
Tube Warranty



www.kifco.com



700 S. Schrader Ave.
P.O. Box 290
Havana, IL 62644
800-452-7017 Toll Free
309-543-4425 Phone
309-543-4945 Fax



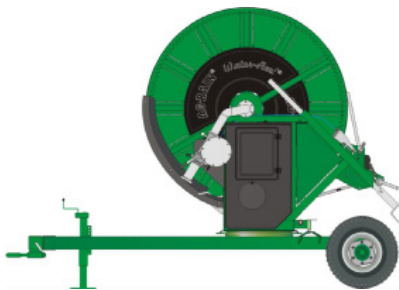
Technical Specifications

Tube Inner Diameter/Length	2.5" x 750'
Irrigated Width	154' - 207'
Irrigated Length	831' - 857'
Retraction Speed	30 - 300 ft. per hr.
Irrigated Area Per Run (Acres)	2.9 - 4.1
Drive System	Turbine
GPM Range	74 - 177
Inlet PSI Range	72 - 141
Hours Per Full Run	1.9 - 18.9
Dry Weight (lbs)	2,150
Weight w/ Water (lbs)	3,100
Chassis Size	ST2

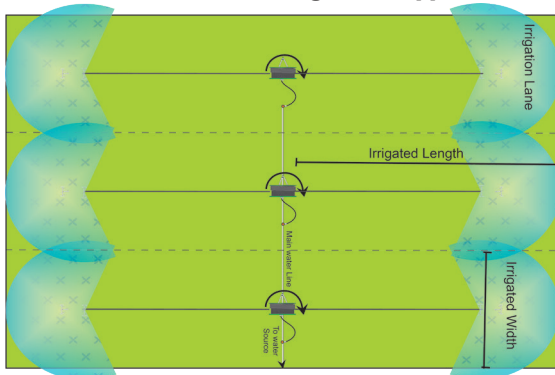
Options

Primary Pumps	23Hp Gas, 37Hp Gas or 48Hp Diesel
Reel-Mounted Booster Pumps	9Hp Gas
Stand-Alone Booster Pumps	5Hp, 7.5Hp
Guncart Riser Extensions	12" or 24" guncart riser extensions (High Cart)
High Pressure Shutdown	Automatically shuts off water flow at the end of each run
Rain Sentry Irrigation Computer	Generates a digital read out and controls retraction speed, application rate, shut off and start up
PTO Shaft	Ability to rewind your machine with your tractor without irrigating
Cross-Over Pipe	Allows for water inlet on either side of the reel
Sprinklers	Nelson SR100

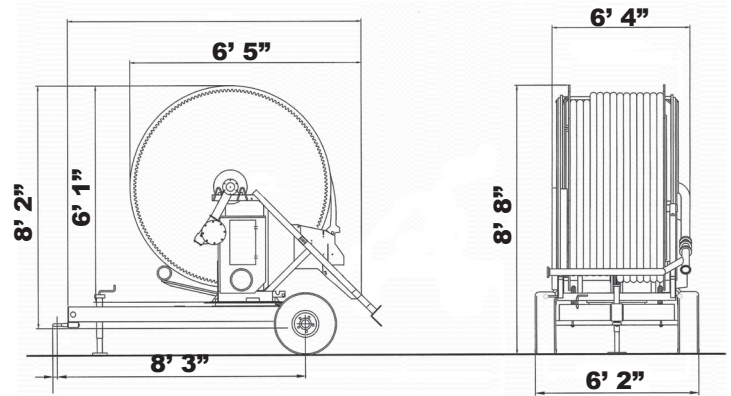
ST2 Chassis



Rotate Turntable 180° and Irrigate In Opposite Direction



T25x750 Dimensions



Sprinkler Model	Nozzle Dia.	Inlet PSI	(Q) GPM	Width (ft.) (70%)	Length (ft.) (70%)	Wetted Dia. (ft.)	Application Rate (in.)
Nelson SR100	0.71"	72	74	154	831	220	0.2 - 1.5
	0.71"	84	81	165	836	235	0.2 - 1.5
	0.71"	97	88	172	840	245	0.2 - 1.5
	0.71"	109	94	179	843	255	0.2 - 1.5
	0.77"	77	88	158	833	225	0.2 - 1.5
	0.77"	90	96	168	838	240	0.2 - 1.5
	0.77"	103	104	175	842	250	0.2 - 1.5
	0.77"	116	111	186	847	265	0.2 - 1.5
	0.81"	81	100	161	835	230	0.2 - 1.5
	0.81"	95	110	172	840	245	0.2 - 1.5
	0.81"	109	118	182	845	260	0.2 - 1.5
	0.81"	123	127	193	850	275	0.2 - 1.5
	0.86"	87	115	168	838	240	0.2 - 1.5
	0.86"	102	125	182	845	260	0.2 - 1.5
	0.86"	117	135	193	850	275	0.2 - 1.5
	0.86"	132	145	200	854	285	0.2 - 1.5
	0.89"	94	129	175	842	250	0.2 - 1.5
	0.89"	110	141	189	849	270	0.2 - 1.5
	0.89"	126	152	203	856	290	0.2 - 1.5
	0.93"	105	150	179	843	255	0.2 - 1.5
0.93"	123	164	193	850	275	0.2 - 1.5	
0.93"	141	177	207	857	295	0.2 - 1.5	

10 PSI turbine pressure loss is assumed in all data. Area covered may vary depending on wind conditions and use of different sprinklers. Specifications are subject to change without notice. Technical specifications contained herein are based upon sprinkler manufacturer's recommended pressure and flow. Actual specifications may vary.