



Most Trusted Traveling Irrigation Systems Since 1964

Kifco T27x980 Ag-Rain® Water-Reel®



- Turbine Driven Water-Reel® with 2.7" ID x 980' MDPE Tube
- Portable, Simple, Reliable irrigation for pastures, cash crops, reclamation, mining and construction sites, and large sports complexes
- The UV resistant MDPE Tube is extremely durable and carries a 5 year pro-rated warranty against manufacturing defects
- Rugged construction proven by over 40 years of production and over 35,000 Kifco Water-Reels® sold
- Industry leading products with service and distribution at over 200 authorized dealers

Applicable Markets



Agriculture



Pastures and Cash Crops



Reclamation, Mining and Construction Sites

Standard Features and Benefits

- Extremely efficient radial turbine provides retraction speed control
- A two speed gearbox and three pulley settings provide six speed operation
- Taky (Electronic Tachometer) which measures retraction speed, length of run, tube remaining and time to end of run
- Liquid filled inlet pressure gauge
- 30' x 3" supply hose with 4" male ring lock supply end
- Tube mis-wrap safety shutoff
- Automatic shutoff of drive mechanism
- Chain operated level wind system
- Speed compensation for consistent retraction speeds for entire length of run
- Adjustable width guncart for added stability
- Hand crank operated guncart lift
- Heavy duty hand crank stabilizer legs
- Drawbar hitch for easy towing
- Single axle galvanized heavy duty chassis
- Hand operated jack
- Ball bearing turntable

1 Year Manufacturer's
Warranty

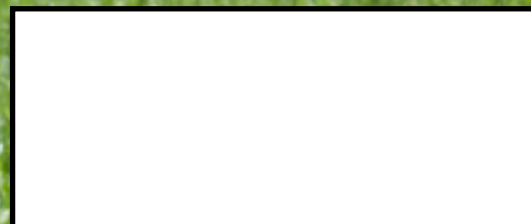
5 Year Pro-Rated
Tube Warranty



www.kifco.com



700 S. Schrader Ave.
P.O. Box 290
Havana, IL 62644
800-452-7017 Toll Free
309-543-4425 Phone
309-543-4945 Fax



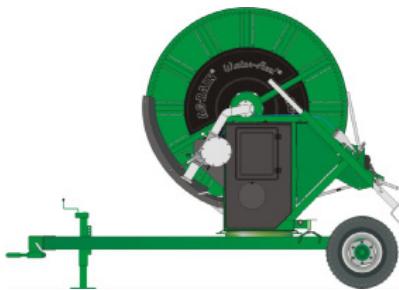
Technical Specifications

Tube Inner Diameter/Length	2.7" x 980'
Irrigated Width	154' - 203'
Irrigated Length	1,057' - 1,082'
Retraction Speed	30 - 300 ft. per hr.
Irrigated Area Per Run (Acres)	3.7 - 5.0
Drive System	Turbine
GPM Range	74 - 152
Inlet PSI Range	71 - 128
Hours Per Full Run	3.3 - 32
Dry Weight (lbs)	2,800
Weight w/ Water (lbs)	4,500
Chassis Size	ST3

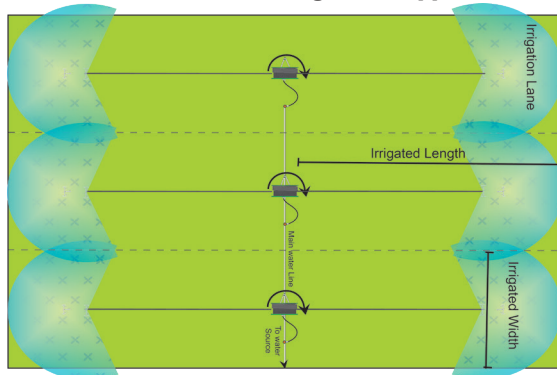
Options

Primary Pumps	23Hp Gas, 37Hp Gas or 48Hp Diesel
Reel-Mounted Booster Pumps	9Hp Gas or 23Hp Gas
Stand-Alone Boosters	5Hp, 7.5Hp
High Pressure Shutdown	Automatically shuts off water flow at the end of each run
Rain Sentry Irrigation Computer	Generates a digital read out and controls retraction speed, application rate, shut off and start up
Guncart Riser Extensions	12" or 24" guncart riser extensions (High-Cart)
PTO Shaft	Ability to rewind your machine with your tractor without irrigating
Cross-Over Pipes	Allows for water inlet on either side of the reel
Sprinklers	Nelson SR100

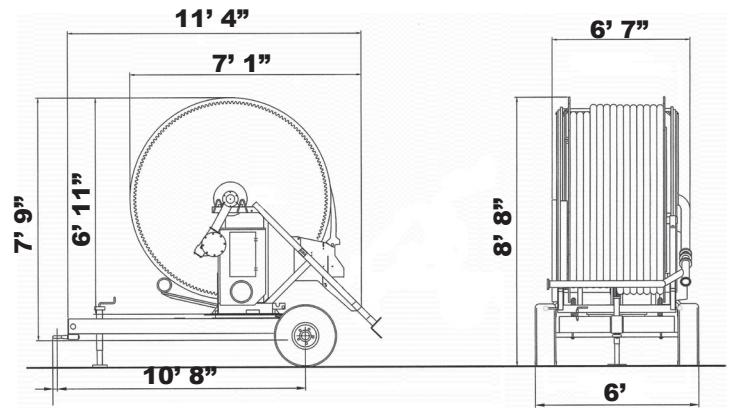
ST3 Chassis



Rotate Turntable 180° and Irrigate In Opposite Direction



T27x980 Dimensions



Sprinkler Model	Nozzle Dia.	Inlet PSI	(Q) GPM	Width (ft.) (70%)	Length (ft.) (70%)	Wetted Dia. (ft.)	Application Rate (in.)
Nelson SR100	0.71"	71	74	154	1057	220	0.2 - 1.5
	0.71"	83	81	164	1062	235	0.2 - 1.5
	0.71"	95	88	171	1066	245	0.2 - 1.5
	0.71"	107	94	178	1069	255	0.5 - 1.5
	0.77"	75	88	157	1059	225	0.5 - 1.5
	0.77"	88	96	168	1064	240	0.5 - 1.5
	0.77"	100	104	175	1068	250	0.5 - 1.5
	0.77"	113	111	185	1073	265	0.5 - 1.5
	0.81"	79	100	161	1061	230	0.5 - 1.5
	0.81"	93	110	171	1066	245	0.5 - 1.5
	0.81"	106	118	182	1071	260	0.5 - 1.5
	0.81"	119	127	192	1076	275	0.5 - 1.5
	0.86"	85	115	168	1064	240	0.5 - 1.5
	0.86"	99	125	182	1071	260	0.5 - 1.5
	0.86"	113	135	192	1076	275	0.5 - 1.5
	0.86"	128	145	199	1080	285	0.5 - 1.5
	0.89"	90	129	175	1068	250	0.5 - 1.5
0.89"	106	141	189	1075	270	0.5 - 1.5	
0.89"	121	152	203	1082	290	0.5 - 1.5	

10 PSI turbine pressure loss is assumed in all data. Area covered may vary depending on wind conditions and use of different sprinklers. Specifications are subject to change without notice. Technical specifications contained herein are based upon sprinkler manufacturer's recommended pressure and flow. Actual specifications may vary.