

MOTORS & CONTROLS



SUBMERSIBLE MOTORS & CONTROLS

4" Submersible Motors.....	2
Specifications and Materials	3
Ordering Information	4
Dimensions and Weights	9
Leads and Accessories.....	10
6" Submersible Motors.....	11
Specifications and Materials	12
Ordering Information	13
Dimensions and Weights	21
Leads and Accessories.....	22
8" Submersible Motors.....	23
Specifications and Materials	24
Ordering Information	25
Dimensions and Weights	29
Leads and Accessories.....	30
Controls.....	31
Control Boxes	31
Control Box Parts	36
SubMonitor Connect	39
Accessories & Services.....	41
Couplings.....	41
QD Service Box & Special Services.....	43

For the most up-to-date product information, visit franklinwater.com.





4" SUBMERSIBLE MOTORS

These motors are built for dependable operation in 4" diameter or larger water wells.

BASIC FEATURES

- Corrosion-resistant stainless steel exterior
- Stainless steel splined shaft
- Hermetically-sealed windings
- StatorShield™ resin system
- Filter check valve
- Water lubrication
- Kingsbury-type thrust bearing
- Pressure-equalizing diaphragm
- Built-in lightning arrestors (all single-phase; 200 & 300 V three-phase)
- Removable Water-Bloc™ lead
- Franklin-manufactured control boxes available for single-phase motors
- UL 778 recognized (North American voltages)
- CSA certified
- ANSI/NSF 61 certified
- Industry standard NEMA mounting dimensions



SPECIAL FEATURES

- Flow inducer sleeve not required in water up to 86 °F (30 °C) for motors through 2 hp
- Two-wire motors are split-phase designs with integral starting components and do not require a control box; features Franklin's patented 2-wire BIAC starting switch, which provides reverse impact torque to aid starting in adverse environments and prevents extreme fast cycling (e.g. water-logged tank)
- Three-wire motors through 1 hp use Franklin's exclusive three-wire QD (Quick Disconnect) Control Box with the patented QD Relay. This relay provides the ultimate in operational life
- Single-phase motors can be used with Pumptec products to protect against dry-run and other installation conditions that can damage motors and/or pumps; see single-phase protection devices for details

CONSTANT PRESSURE OPTION

- Use Franklin's MonoDrive controller with 1.5 hp three-wire, single-phase motors to provide constant water pressure
- Three-phase motors can be used with SubDrive controllers to provide constant water pressure

POLLUTION RECOVERY OPTION

- Pollution Recovery motors are equipped for use in monitoring and recovery wells in which hydrocarbons and other chemicals may be present
- Features nitrile rubber parts and other chemical-resistant materials as listed in the construction materials chart

4" SUBMERSIBLE MOTORS - SPECIFICATIONS AND MATERIALS

MOTOR SPECIFICATIONS

Hz	Model	Phase	HP Range	kW Range	Poles	RPM	Max. Ambient Temp.	Duty Rating
50	Super Stainless	1	0.5 - 1.5	0.37 - 1.1	2	2875	86 °F / 30 °C	Continuous
		1	0.3 - 3	0.25 - 2.2				Continuous*
		3	0.5 - 3	0.37 - 2.2				Continuous*
	Pollution Recovery	1	0.5 - 1.5	0.37 - 1.1				Continuous
		1	0.3 - 2	0.25 - 1.5				Continuous*
		3	0.5 - 2	0.37 - 1.5				Continuous*
	High Thrust	1	1.5 - 5	1.1 - 3.7				Continuous*
		3	1.5 - 10	1.1 - 7.5				Continuous*
		3	1.5 - 10	1.1 - 7.5				Continuous*
60	Super Stainless	1	0.3 - 1.5	0.25 - 1.1	2	3450	86 °F / 30 °C	Continuous
		1	0.3 - 3	0.25 - 2.2				Continuous*
		3	0.5 - 3	0.37 - 2.2				Continuous*
	Pollution Recovery	1	0.3 - 1.5	0.25 - 1.1				Continuous
		1	0.3 - 2	0.25 - 1.5				Continuous*
		3	0.5 - 2	0.37 - 1.5				Continuous*
	High Thrust	1	1.5 - 5	1.1 - 3.7				Continuous*
		3	1.5 - 10	1.1 - 7.5				Continuous*
		3	1.5 - 10	1.1 - 7.5				Continuous*

*3 hp motors require 0.25 ft/sec flow past motor

CONSTRUCTION MATERIALS

Component	Model	Construction Type			
		Standard Water Well	Coalbed Methane	Sand Fighter™	Pollution Recovery
Castings	Super Stainless	304 SS over Iron	-	-	304 SS over Iron
Stator Shell		301 SS	-	-	301 SS
Shaft Extension		17-4 SS or 303 SS	-	-	303 SS
Fasteners		305 SS or 302 SS	-	-	316 SS
Seal Cover		Acetal	-	-	ETFE
Seal		Nitrile Lip	-	-	FKM
Diaphragm		Nitrile	-	-	FKM
Slings		Nitrile	-	-	FKM
Lead Wire (or Cable)		XLPE	-	-	Lead not furnished with motor
Lead Potting		Epoxy	-	-	Lead not furnished with motor
Lead Jam Nut		303 SS	-	-	Lead not furnished with motor

Component	Model	Construction Type			
		Standard Water Well	Coalbed Methane	Sand Fighter™	Pollution Recovery
Top Castings	High Thrust	303 SS	303 SS	303 SS	-
Bottom Castings		303 SS over painted cast iron	303 SS over painted cast iron	303 SS over painted cast iron	-
Stator Shell		301 SS	301 SS	301 SS	-
Stator Ends		Low-carbon steel	Low-carbon steel	Low-carbon steel	-
Shaft Extension		17-4 SS	17-4 SS	17-4 SS	-
Fasteners		300 series SS	300 series SS	300 series SS	-
Seal Cover		Acetal	Sintered bronze	Sintered bronze	-
Seal		Nitrile lip	Sand Fighter™ SiC/ SiC mech. seal	Sintered bronze	-
Diaphragm		Nitrile	Nitrile	Nitrile	-
Diaphragm Cup		316 SS	316 SS	316 SS	-
Diaphragm Spring		316 SS	316 SS	316 SS	-
Diaphragm Cover		Gray iron	Gray iron	304 SS	-
Slings		Nitrile	Nitrile	Nitrile	-
Lead Wire (or Cable)		XLPE*	XLPE*	XLPE*	-
Lead Potting		Epoxy	Epoxy	Epoxy	-
Lead Screws / Clamp		316 SS	316 SS	316 SS	-
Filter		Delrin/polyester	Delrin/polyester	Delrin/polyester	-



4" SUBMERSIBLE MOTORS - ORDERING INFORMATION

2-WIRE MODELS

HP	Description	Volts	Hz	S.F.	Motor Lead	Model No.	In Stock	Thrust Rating	Wt. (Lbs)
1/3	Water Well	115	60	1.75	-	2445020117S	-	300	16
		115	60	1.75	Yes	2445029004S	Yes	300	16
		230	60	1.75	-	2445030117S	-	300	16
		230	60	1.75	Yes	2445039004S	Yes	300	16
	Pollution Recovery	115	60	1.75	-	2445020917S	-	300	16
		230	60	1.75	-	2445030917S	-	300	16
1/2	Water Well	115	60	1.6	-	2445040117S	-	300	18
		115	60	1.6	Yes	2445049004S	Yes	300	18
		220	50	1.0	-	2445550117S	-	300	18
		230	60	1.6	-	2445050117S	-	300	18
		230	60	1.6	Yes	2445059004S	Yes	300	18
	Pollution Recovery	115	60	1.6	-	2445040917S	-	300	18
		230	60	1.6	-	2445050917S	-	300	18
3/4	Water Well	220	50	1.0	-	2445570117S	-	300	21
		230	60	1.5	-	2445070117S	-	300	21
		230	60	1.5	Yes	2445079004S	Yes	300	21
	Pollution Recovery	230	60	1.5	-	2445070917S	-	300	21
		220	50	1.0	-	2445581203S	-	650	24
1	Water Well	230	60	1.4	-	2445081203S	-	650	24
		230	60	1.4	Yes	2445089003S	Yes	650	24
		230	60	1.4	-	2445082303S	-	650	24
	Pollution Recovery	230	60	1.4	-	2445082303S	-	650	24
1.5	Water Well	220	50	1.0	-	2443591217S	-	650	31
		230	60	1.3	-	2443091217S	-	650	31
		230	60	1.3	Yes	2443099004S	Yes	650	31
	Pollution Recovery	230	60	1.3	-	2443092317S	-	650	31

NOTE: Pack Designation (--S) = Single Pack, available in any quantity; All 3 hp motors are single-packed; Contact factory for lead time for non-stocked items; Pallet packs available but not shown; Contact customer service for availability

4" SUBMERSIBLE MOTORS - ORDERING INFORMATION

3-WIRE MODELS

HP	Description	Volts	Hz	S.F.	Motor Lead	Model No.	In Stock	Thrust Rating	Wt. (Lbs)	
1/3	Water Well	115	60	1.75	Yes	2145029004S	Yes	300	17	
		220	50	1.0	-	2145534116S	-	300	17	
		230	60	1.75	-	2145034416S	-	300	17	
	Pollution Recovery	230	60	1.75	Yes	2145039004S	Yes	300	17	
		115	60	1.75	-	2145024916S	-	300	17	
		230	60	1.75	-	2145034916S	-	300	17	
1/2	Water Well	115	60	1.6	-	2145044416S	-	300	19	
		115	60	1.6	Yes	2145049004S	Yes	300	19	
		220	50	1.0	-	2145554116S	Yes	300	19	
		220	50	1.0	Yes	2145559204S	Yes	300	19	
		230	60	1.6	-	2145054416S	-	300	19	
		230	60	1.6	Yes	2145059004S	Yes	300	19	
	Pollution Recovery	115	60	1.6	-	2145044916S	-	300	19	
		230	60	1.6	-	2145054916S	-	300	19	
		220	50	1.0	-	2145574116S	Yes	300	21	
		220	50	1.0	Yes	2145579204S	-	300	21	
3/4	Water Well	230	60	1.5	-	2145074416S	-	300	21	
		230	60	1.5	Yes	2145079004S	Yes	300	21	
		230	60	1.5	-	2145074916S	-	300	21	
		230	60	1.5	Yes	2145079004S	Yes	300	21	
	Pollution Recovery	230	60	1.5	-	2145074916S	-	300	21	
		230	60	1.5	Yes	2145070600S	Yes	300	22	
1	Water Well	220	50	1.0	-	2145581903S	Yes	650	24	
		220	50	1.0	Yes	2145589203S	Yes	650	24	
		230	60	1.4	-	2145081203S	-	650	24	
		230	60	1.4	Yes	2145089003S	Yes	650	24	
		230	60	1.4	-	2145082303S	-	650	24	
		230	60	1.4	Yes	2145080610S	Yes	650	25	
	Pollution Recovery	220	50	1.0	-	2243501903S	Yes	650	28	
		220	50	1.0	Yes	2243509203S	Yes	650	28	
		230	60	1.3	-	2243001903S	Yes	650	28	
		230	60	1.3	Yes	2243009203S	Yes	650	28	
1.5	Water Well	230	60	1.3	-	2243008600	-	1500	38	
		230	60	1.3	-	2243002303S	-	650	28	
		230	60	1.3	Yes	2243000610S	Yes	650	25	
		230	60	1.3	Yes	2243008502	-	1500	40	
		220	50	1.0	-	2243511916S	Yes	650	33	
		220	50	1.0	Yes	2243519204S	Yes	650	33	
	2	Water Well	220	50	1.0	Yes	2243518602	-	1500	43
			230	60	1.25	-	2243011916S	Yes	650	33
			230	60	1.25	Yes	2243019204S	Yes	650	33
			230	60	1.25	-	2243018600	-	1500	43
230			60	1.25	Yes	2243018602	-	1500	43	
230			60	1.25	-	2243012316S	-	650	33	
Pollution Recovery		230	60	1.25	-	2243010610S	Yes	650	29	
		230	60	1.25	Yes	2243018802	Yes	1500	43	
3	Water Well	230	60	1.25	Yes	2243018702	-	1500	46	
		230	60	1.25	Yes	2243018502	-	1500	45	
		220	50	1.0	-	2243522504	Yes	900	41	
		220	50	1.0	-	2243528600	-	1500	56	
		230	60	1.15	-	2243022504	-	900	41	
		230	60	1.15	Yes	2243022604	Yes	900	41	
	Series 600M	230	60	1.15	-	2243028600	-	1500	56	
		230	60	1.15	Yes	2243028602	Yes	1500	56	
		230	60	1.15	Yes	2243020620	Yes	900	35	
		230	60	1.15	Yes	2243020630	Yes	1500	44	
Pollution Recovery	230	60	1.15	Yes	2243028802	Yes	1500	56		
	230	60	1.15	Yes	2243028702	-	1500	56		
	230	60	1.15	Yes	2243028502	-	1500	56		
	220	50	1.0	-	2243538600	Yes	1500	71		
5	Water Well	230	60	1.15	-	2243038600	-	1500	71	
		230	60	1.15	Yes	2243038602	Yes	1500	71	
		230	60	1.15	Yes	2243030630	Yes	1500	56	
	Pollution Recovery	230	60	1.15	Yes	2243038802	Yes	1500	71	
		230	60	1.15	Yes	2243038702	-	1500	71	
		230	60	1.15	Yes	2243038502	-	1500	71	

NOTE: Pack Designation (-S) = Single Pack, available in any quantity; All 3 hp motors are single-packed; Contact factory for lead time for non-stocked items; Pallet packs available but not shown; Contact customer service for availability



4" SUBMERSIBLE MOTORS - ORDERING INFORMATION

THREE-PHASE MODELS

HP	Description	Volts	Hz	S.F.	Motor Lead	Model No.	In Stock	Thrust	Wt. (Lbs)	
1/2	Water Well	200	60	1.6	-	2345014116GS	-	300	18	
		200	60	1.6	Yes	2345019204GS	-	300	19	
		220	50	1.0	-	2345514116GS	-	300	18	
		230	60	1.6	-	2345114116GS	-	300	18	
		230	60	1.6	Yes	2345119204GS	-	300	19	
		380-415	50	1.0	-	2345613116GS	Yes	300	18	
	460	60	1.6	-	2345213116GS	-	300	18		
	460	60	1.6	Yes	2345219404GS	Yes	300	19		
	Pollution Recovery	200	60	1.6	-	2345014916GS	-	300	18	
230		60	1.6	-	2345114916GS	-	300	18		
460		60	1.6	-	2345214916GS	-	300	18		
3/4	Water Well	200	60	1.5	-	2345024116GS	-	300	21	
		200	60	1.5	Yes	2345029204GS	-	300	22	
		220	50	1.0	-	2345524116GS	-	300	21	
		230	60	1.5	-	2345124116GS	-	300	21	
		230	60	1.5	Yes	2345129204GS	-	300	22	
		380-415	50	1.0	-	2345623116GS	Yes	300	21	
		460	60	1.5	-	2345223116GS	-	300	21	
		460	60	1.5	Yes	2345229404GS	-	300	22	
	Pollution Recovery	200	60	1.5	-	2345024916GS	-	300	21	
		230	60	1.5	-	2345124916GS	-	300	21	
		460	60	1.5	-	2345224916GS	-	300	21	
	Series 600M	230	60	1.5	Yes	2345120600GS	Yes	300	22	
		460	60	1.5	Yes	2345220600GS	-	300	22	
	1	Water Well	200	60	1.4	-	2345031903GS	-	650	24
			200	60	1.4	Yes	2345039203GS	-	650	25
220			50	1.0	-	2345534116GS	-	650	24	
230			60	1.4	-	2345131903GS	-	650	24	
230			60	1.4	Yes	2345139203GS	Yes	650	25	
380-415			50	1.0	-	2345633116GS	Yes	650	24	
460			60	1.4	-	2345231603GS	-	650	24	
460			60	1.4	Yes	2345239403GS	Yes	650	25	
Pollution Recovery		200	60	1.4	-	2345032303GS	-	650	24	
		230	60	1.4	-	2345132303GS	-	650	24	
		460	60	1.4	-	2345232303GS	-	650	24	
Series 600M		230	60	1.4	Yes	2345130610GS	Yes	650	25	
		460	60	1.4	Yes	2345230610GS	-	650	25	
1.5		Water Well	200	60	1.3	-	2345041903GS	-	650	28
			200	60	1.3	Yes	2345049203GS	Yes	650	29
	200		60	1.3	-	2345048600	-	1500	33	
	220		50	1.3	Yes	2345549003GS	-	650	28	
	230		60	1.3	-	2345141903GS	-	650	28	
	230		60	1.3	Yes	2345149203GS	Yes	650	29	
	230		60	1.3	-	2345148600G	-	1500	33	
	460/380		60/50	1.3/1.0	-	2345241603GS	-	650	28	
	460/380		60/50	1.3/1.0	Yes	2345249403GS	Yes	650	28	
	460/380		60/50	1.3/1.0	-	2345248600G	Yes	1500	28	
	575		60	1.3	-	2345341603GS	-	650	28	
	575		60	1.3	Yes	2345349403GS	Yes	650	29	
	575		60	1.3	-	2345348600G	-	1500	33	
	Pollution Recovery		200	60	1.3	-	2345042303GS	-	650	28
		230	60	1.3	-	2345142303GS	-	650	28	
		460/380	60/50	1.3/1.0	-	2345242303GS	-	650	28	
	Series 600M	230	60	1.3	Yes	2345140610GS	Yes	650	25	
		460/380	60/50	1.3/1.0	Yes	2345240610GS	-	650	25	
	316 SS	200	60	1.3	Yes	2345048502G	-	1500	40	
		230	60	1.3	Yes	2345148502G	-	1500	40	
		460/380	60/50	1.3/1.0	Yes	2345248502G	-	1500	40	
575		60	1.3	Yes	2345348502G	-	1500	40		

4" SUBMERSIBLE MOTORS - ORDERING INFORMATION

THREE-PHASE MODELS

HP	Description	Volts	Hz	S.F.	Motor Lead	Model No.	In Stock	Thrust	Wt. (Lbs)	
2	Water Well	200	60	1.25	-	2343051618GS	-	650	33	
		200	60	1.25	Yes	2343059204GS	Yes	650	34	
		200	60	1.25	-	2343058600G	-	1500	44	
		220	50	1.0	-	2343551916GS	-	650	33	
		230	60	1.25	-	2343151618GS	Yes	650	33	
		230	60	1.25	Yes	2343159204GS	Yes	650	34	
		230	60	1.25	-	2343158600G	-	1500	44	
		460/380	60/50	1.25/1.0	-	2343251618GS	Yes	650	33	
		460/380	60/50	1.25/1.0	Yes	2343259404GS	Yes	650	34	
		460/380	60/50	1.25/1.0	-	2343258600G	-	1500	44	
		460/380	60/50	1.25/1.0	Yes	2343258602G	-	1500	44	
		575	60	1.25	-	2343351618GS	-	650	33	
	575	60	1.25	Yes	2343359404GS	Yes	650	34		
	575	60	1.25	-	2343358600G	-	1500	44		
	Pollution Recovery	200	60	1.25	-	2343052318GS	-	650	33	
		230	60	1.25	-	2343152318GS	-	650	33	
		460/380	60/50	1.25/1.0	-	2343252318GS	-	650	33	
	Series 600M	230	60	1.25	Yes	2343150610GS	Yes	650	29	
		460/380	60/50	1.25/1.0	Yes	2343250610GS	-	650	29	
	316 SS	200	60	1.25	Yes	2343058502G	-	1500	44	
		230	60	1.25	Yes	2343158502G	-	1500	44	
		460/380	60/50	1.25/1.0	Yes	2343258502G	-	1500	44	
		575	60	1.25	Yes	2343358502G	-	1500	44	
	Oil Stripper	230	60	1.25	Yes	2343158702G	-	1500	44	
		460/380	60/50	1.25/1.0	Yes	2343258702G	-	1500	44	
	3	Water Well	200	60	1.15	-	2343062504G	-	900	41
			200	60	1.15	Yes	2343062604G	Yes	900	41
			200	60	1.15	-	2343068600G	-	1500	43
200			60	1.15	Yes	2343068602G	Yes	1500	44	
220			50	1.0	-	2343562504G	-	900	41	
220			50	1.0	-	2343568600G	-	1500	43	
230			60	1.15	-	2343162504G	-	900	41	
230			60	1.15	Yes	2343162604G	Yes	900	41	
230			60	1.15	-	2343168600G	-	1500	43	
230			60	1.15	Yes	2343168602G	Yes	1500	44	
380			60	1.15	-	2343462504G	-	900	41	
380			60	1.15	Yes	2343462604G	Yes	900	41	
380			60	1.15	-	2343468600G	-	1500	43	
380			60	1.15	Yes	2343468602G	Yes	1500	44	
460/380			60/50	1.15/1.0	-	2343262504G	-	900	41	
460/380			60/50	1.15/1.0	Yes	2343262604G	Yes	900	41	
460/380			60/50	1.15/1.0	-	2343268600G	-	1500	43	
460/380			60/50	1.15/1.0	Yes	2343268602G	Yes	1500	44	
575			60	1.15	-	2343362504G	-	900	41	
575			60	1.15	Yes	2343362604G	Yes	900	41	
575		60	1.15	-	2343368600G	-	1500	43		
575		60	1.15	Yes	2343368602G	Yes	1500	44		
Series 600M		230	60	1.15	Yes	2343160620G	-	900	35	
		230	60	1.15	Yes	2343160630G	Yes	1500	44	
		460/380	60/50	1.15	Yes	2343260620G	-	900	35	
		460/380	60/50	1.15	Yes	2343260630G	-	1500	44	
Sand Fighter™		200	60	1.15	Yes	2343068802G	-	1500	44	
		230	60	1.15	Yes	2343168802G	Yes	1500	44	
		380	60	1.15	Yes	2343468802G	-	1500	44	
		460/380	60/50	1.15/1.0	Yes	2343268802G	Yes	1500	44	
		575	60	1.15	Yes	2343368802G	-	1500	44	
316 SS		200	60	1.15	Yes	2343068502G	-	1500	44	
	230	60	1.15	Yes	2343168502G	-	1500	44		
	460/380	60/50	1.15/1.0	Yes	2343268502G	-	1500	44		
	575	60	1.15	Yes	2343368502G	-	1500	44		
Oil Stripper	230	60	1.15	Yes	2343168702G	-	1500	44		
	460/380	60/50	1.15/1.0	Yes	2343268702G	-	1500	44		



4" SUBMERSIBLE MOTORS - ORDERING INFORMATION

THREE-PHASE MODELS

HP	Description	Volts	Hz	S.F.	Motor Lead	Model No.	In Stock	Thrust	Wt. (Lbs)
4	Water Well	380	50	1.0	-	2343958600G	-	1500	49
		380	50	1.0	Yes	2343958602G	-	1500	50
5	Water Well	200	60	1.15	-	2343078600G	-	1500	55
		200	60	1.15	Yes	2343078602G	Yes	1500	56
		220	50	1.0	-	2343578600G	-	1500	55
		230	60	1.15	-	2343178600G	-	1500	55
		230	60	1.15	Yes	2343178602G	Yes	1500	56
		380	60	1.15	-	2343478600G	-	1500	55
		380	60	1.15	Yes	2343478602G	Yes	1500	56
		460/380	60/50	1.15/1.0	-	2343278600G	-	1500	55
		460/380	60/50	1.15/1.0	Yes	2343278602G	Yes	1500	56
		575	60	1.15	-	2343378600G	-	1500	55
	575	60	1.15	Yes	2343378602G	Yes	1500	56	
	Series 600M	230	60	1.15	Yes	2343170630G	Yes	1500	56
		460/380	60/50	1.15	Yes	2343270630G	-	1500	56
	Sand Fighter™	200	60	1.15	Yes	2343078802G	-	1500	56
		230	60	1.15	Yes	2343178802G	Yes	1500	56
		380	60	1.15	Yes	2343478802G	-	1500	56
		460/380	60/50	1.15/1.0	Yes	2343278802G	Yes	1500	56
		575	60	1.15	Yes	2343378802G	-	1500	56
316 SS	200	60	1.15	Yes	2343078502G	-	1500	56	
	230	60	1.15	Yes	2343178502G	-	1500	56	
	460/380	60/50	1.15/1.0	Yes	2343278502G	-	1500	56	
	575	60	1.15	Yes	2343378502G	-	1500	56	
Oil Stripper	230	60	1.15	Yes	2343178702G	-	1500	58	
	460/380	60/50	1.15/1.0	Yes	2343278702G	-	1500	58	
5.5	Water Well	460/380	60/50	1.0	-	2343978600G	-	1500	60
		460/380	60/50	1.0	Yes	2343978602G	-	1500	61
7.5	Sand Fighter™	200	60	1.15	Yes	2343088802G	-	1500	71
		230	60	1.15	Yes	2343188802G	Yes	1500	71
		380	60	1.15	Yes	2343488802G	-	1500	71
		460/380	60/50	1.15/1.0	Yes	2343288802G	Yes	1500	71
		575	60	1.15	Yes	2343388802G	-	1500	71
	316 SS	200	60	1.15	Yes	2343088502G	-	1500	71
		230	60	1.15	Yes	2343188502G	-	1500	71
		460/380	60/50	1.15/1.0	Yes	2343288502G	-	1500	71
	Oil Stripper	575	60	1.15	Yes	2343388502G	-	1500	71
		230	60	1.15	Yes	2343188702G	-	1500	71
460/380	60/50	1.15/1.0	Yes	2343288702G	-	1500	71		
10	Water Well	380	60	1.15	Yes	2345498602G	-	1500	77
		460/380	60/50	1.15/1.0	Yes	2345958602G	Yes	1500	77
		575	60	1.15	Yes	2345988602G	-	1500	77
	Sand Fighter™	380	60	1.15	Yes	2345498802G	-	1500	77
		460/380	60/50	1.15/1.0	Yes	2345958802G	Yes	1500	77
		575	60	1.15	Yes	2345988802G	-	1500	77
		460/380	60/50	1.15	Yes	2345958502G	-	1500	77
	Oil Stripper	460/380	60/50	1.15	Yes	2345958702G	-	1500	77
15	15 HP Water Well	460/380	60/50	1.15/1.0	Yes	2346268994G	-	3500	115

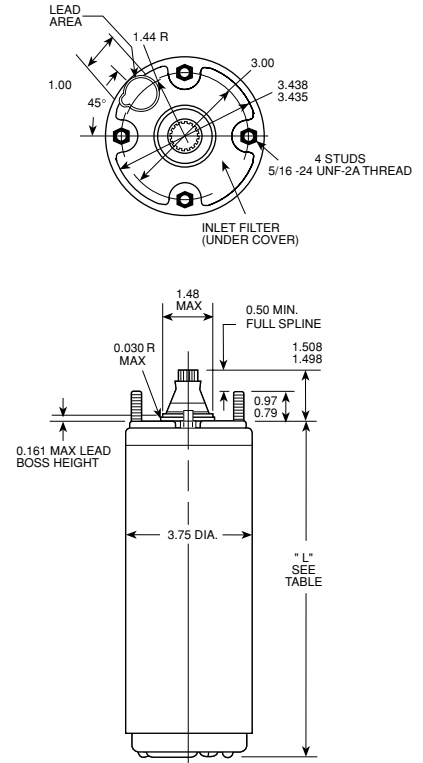
NOTE: Pack Designation (--S) = Single Pack, available in any quantity; All 3 hp motors are single-packed; Contact factory for lead time for non-stocked items; Pallet packs available but not shown; Contact customer service for availability

4" SUBMERSIBLE MOTORS - DIMENSIONS AND WEIGHTS

SUPER STAINLESS

HP / kW	Phase	L (in)	Motor Carton Size (in)			Shipping Wt.	
			W	H	L	lbs	kg
0.333 / 0.25	1	8.76	4.25	4.38	16.00	16	7.3
	1	8.76	4.25	4.38	16.00	17	7.7
0.5 / 0.37	1	9.51	4.25	4.38	16.00	18	8.2
	3	9.51	4.25	4.38	16.00	19	8.6
0.75 / 0.55	1	10.64	4.25	4.38	19.00	21	9.5
	3	10.64	4.25	4.38	19.00	21	9.5
1 / 0.75	1	11.73	4.25	4.38	19.00	24	10.9
	3	11.73	4.25	4.38	19.00	24	10.9
1.5 / 1.1	1	15.1	4.25	4.38	21.25	31	14.1
	3	11.73	4.25	4.38	19.00	24	10.9
2 / 1.5	1	15.1	4.25	4.38	21.25	33	15
	3	13.6	4.25	4.38	21.25	28	12.7
3 / 2.2	1	19.04	4.25	4.38	21.25	41	18.6
	3	16.04	4.25	4.38	21.25	35	15.9

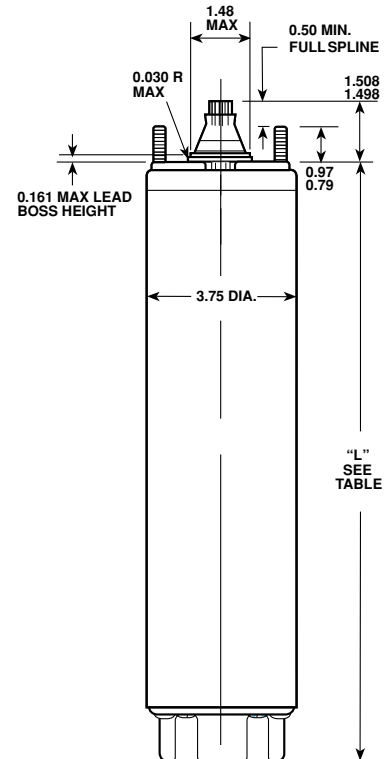
NOTE: All dimensions listed above are for models supplied with lead; consult factory for other models



HIGH THRUST

HP / kW	Model	Phase	L (in)	Motor Carton Size (in)			Shipping Wt.	
				W	H	L	lbs	kg
1.5 / 1.1	Standard, Sand Fighter™	1	19.1	6.50	6.25	21.50	35	15.9
	Standard, Sand Fighter™	3	17.98	6.50	6.25	21.50	37	16.8
2 / 1.5	Standard, Sand Fighter™	1	20.6	6.50	6.25	24.25	43	19.5
	Oil Stripper	1	22.85	6.50	6.25	25.75	46	20.9
3 / 2.2	Standard, Sand Fighter™	3	19.1	6.50	6.25	24.25	44	20
	Oil Stripper	3	21.35	6.50	6.25	25.75	42	19.1
5 / 3.7	Standard, Sand Fighter™	1	23.18	6.50	6.25	27.25	56	25.4
	Oil Stripper	1	23.18	6.50	6.25	33.25	56	25.4
7.5 / 5.5	Standard, Sand Fighter™	3	20.18	6.50	6.25	24.25	44	20
	Oil Stripper	3	20.18	6.50	6.25	25.75	44	20
10 / 7.5	Standard, Sand Fighter™	1	29.18	6.50	6.25	33.25	71	32.2
	Oil Stripper	1	29.18	6.50	6.25	34.75	71	32.2
5.5 / 4	Standard, Sand Fighter™	3	25.66	6.50	6.25	33.25	63	28.6
	Oil Stripper	3	25.66	6.50	6.25	33.25	63	28.6
7.5 / 5.5	Standard, Sand Fighter™	3	29.18	6.50	6.25	33.25	71	32.2
	Oil Stripper	3	29.18	6.50	6.25	34.75	71	32.2
10 / 7.5	Standard, Sand Fighter™	3	32.18	6.50	6.25	36.25	77	34.9

NOTE: Consult factory for Coalbed Methane and 316 SS weights and dimensions



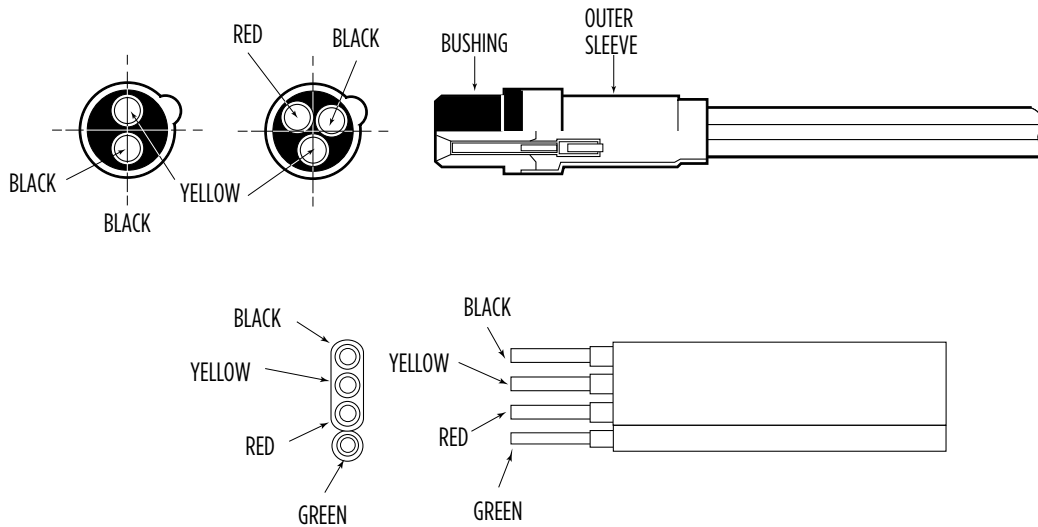


4" SUBMERSIBLE MOTORS - LEADS AND ACCESSORIES

MOTOR LEADS AND CABLES

HP	Wire	Description	Wire AWG	Model No.	Wt. (lbs)
All	2	Lead, Individual XLPE, 303 SS, 48 in, Ground	14	152552905	1
		Lead, Individual XLPE, 303 SS, 100 in, Ground		152552906	1
		Lead, Individual Nitrile, 316 SS, 48 in, No Ground		152328905*	1
		Lead, Individual Nitrile, 316 SS, 100 in, No Ground		152328906*	1
	3 (Jam-Nut Style)	Lead, Individual XLPE, 303 SS, 48 in, Ground		152553905	<1
		Lead, Individual XLPE, 303 SS, 100 in, Ground		152553906	<1
		Lead, Individual Nitrile, 316 SS, 48 in, No Ground *		152255901	<1
		Lead, Individual Nitrile, 316 SS, 100 in, No Ground *		152255902	<1
		Lead, Individual Nitrile, 316 SS, 160 in, No Ground *		152255904	<1
		Lead, Individual Nitrile, 316 SS, 30 ft, No Ground *		152255906	5
		Lead, Individual Nitrile, 316 SS, 50 ft, No Ground *		152255907	5
		Lead, Individual Nitrile, 316 SS, 100 ft, No Ground *		152255910	9
		Lead, Individual Nitrile, 316 SS, 150 ft, No Ground *		152255912	14
		3 (Clamp Style)		Lead, Individual XLPE, 316 SS, 48 in, Ground	152735911
	Lead, Individual XLPE, 316 SS, 100 in, Ground			152735941	1
	Lead, Individual Nitrile, 316 SS, 100 in, No Ground *			152744902	<1
	Lead, Individual Nitrile, 316 SS, 160 in, No Ground *			152744904	<1
	Lead, Individual Nitrile, 316 SS, 50 ft, No Ground *			152744907	5
	Lead, Individual Nitrile, 316 SS, 100 ft, No Ground *			152744910	9

NOTE: Refer to Franklin Application Installation Maintenance (AIM) Manual for accurate cable sizing; MOTOR WARRANTY IS VOID if Franklin-supplied leads are not used
 * Nitrile not for use in potable water



MOTOR ACCESSORIES

HP	Description	Model No.	Wt. (lbs)
All	Coupling, 4-inch, #416 SS, 3/16 x 1/8 x 1 3/8 Key	151551911	1

6" SUBMERSIBLE MOTORS

These motors are built for dependable operation in 6" diameter or larger water wells.

BASIC FEATURES

- Double flanged NEMA mounting design
- Stainless steel splined shaft
- StatorShield™, Franklin's six-feature encapsulation system
- High-capacity, Kingsbury-type, water-lubricated thrust bearing
- Factory-filled with Franklin's non-toxic water soluble fill solution
- Field replaceable lead using Franklin's exclusive Water-Bloc™ technology
- Full 3,450 rpm 60 Hz design point
- External sand slinger on shaft
- Mechanical face seal at shaft exit
- Copper bar rotor
- All models variable frequency drive (VFD) compatible
- Single-phase models must be used with a Franklin Electric control box

SPECIAL FEATURES

- Sand Fighter™ and 316 stainless steel models are equipped with Franklin's exclusive Sand Fighter™ sealing system for sand or other abrasives, as well as Franklin's exclusive on-winding SubTrol™ heat sensor for use with SubMonitor™
- Consult factory for other voltage, hertz, and horsepower ratings not listed in this catalog
- Specifications are subject to change without notice; contact Franklin Electric if current materials are required for bid specifications
- Overmolded motor leads on all 10 GA leads





6" SUBMERSIBLE MOTORS - SPECIFICATIONS AND MATERIALS

MOTOR SPECIFICATIONS

Hz	Model	Phase	HP Range	kW Range	Poles	RPM	Max. Ambient Temp.	Duty Rating
50	Standard*	1	5 - 15	3.7 - 11	2	2875	86 °F / 30 °C	Continuous*
50		3	5 - 40	3.7 - 45			86 °F / 30 °C	
50		3	50 - 60	37 - 45			122 °F / 50 °C	
50	High-Temp 90°C**	3	5 - 40	3.7 - 30		195 °F / 90 °C		
60	Standard*	1	5 - 15	3.7 - 11		3450	86 °F / 30 °C	
60		3	5 - 40	3.7 - 30			86 °F / 30 °C	
60		3	50 - 60	37 - 45	122 °F / 50 °C			
60	High-Temp 90°C**	3	5 - 40	3.7 - 30	195 °F / 90 °C			

*At 0.5 ft/sec flow past motor; motors are rated for continuous duty up to 86°F (30 °C) water temperature

**At 0.5 ft/sec flow past motor; motors are rated for continuous duty up to 195°F (90 °C) water temperature and up to 86 °F (30 °C) water temperature with NO FLOW in lakes or in wells 12 inches or larger in diameter.

CONSTRUCTION MATERIALS

Component	Construction Type				
	Standard Water Well	Sand Fighter™	Corrosion Resistant (316 SS)	Hi-Temp 90°C (300 SS Shell)	Hi-Temp 90°C (316 SS)
UL Insulation Class Rating	Class F			Class F	Class F
Motor Ambient Temp. Rating	86 °F / 30 °C (5-40 hp) 122 °F / 50 °C (50-60 hp)			194 °F / 90 °C (5-40 hp)	194 °F / 90 °C (5-40 hp)
Stator Resin Type	Standard (5-40 hp) / Hi-Temp (50-60 hp)	Per standard water well	Per standard water well	FE Hi-Temp	FE Hi-Temp
Motor Fill Solution (Water Soluble/Non-Toxic)	FES91			FES92	FES92
Top End Bell & Thrust Housing	Epoxy-coated gray iron		316 SS	Epoxy-coated gray iron	316 SS
On Winding SubTrol™ heat sensor	No (5-40 hp) / Yes (50-60 hp)	Yes	Yes	Not Available	Not Available
Stator Shell	300 series SS		316 SS	300 series SS	316 SS
Stator Ends	Carbon steel			Carbon steel	316 SS
Shaft Extension	300 Series SS (5-30 hp) / 17-4 SS (40-60 hp)	Per standard water well	17-4 SS	300 SS (5-20 hp), 17-4 SS (25-40 hp)	17-4 SS
Bushing	Bronze		316 SS	Bronze	316 SS
Bushing Retainer	300 series SS			300 series SS	316 SS
Shaft Mechanical Seal	Carbon ceramic (5-40 hp) Sand Fighter™ Seal System (50-60 hp)	Sand Fighter™ Seal System	Sand Fighter™ Seal System	Sand Fighter™ Seal System	Sand Fighter™ Seal System
Mechanical Seal / Rubber Components	Nitrile (5-40 hp) / FKM (50-60 hp)		Per standard water well	FKM	FKM
Diaphragm Material	Nitrile (5-40 hp) / FKM (50-60 hp)		316 SS	FKM	FKM
Diaphragm Plate	300 series SS		25-6 MO SS	300 series SS	316 SS
Diaphragm Spring	300 series SS		Nitrile	300 series SS	25-6 MO SS
Shaft Slinger	Nitrile (5-40 hp) / FKM (50-60 hp)			FKM	FKM
Lead Wire	Overmolded	Per standard water well	Per standard water well	XLPO	XLPO
Lead Potting	Epoxy			Epoxy	Epoxy
Lead Jam Nut	Brass		316 SS	Brass	316 SS
Thrust Bearing Rating (86 °F / 30 °C)	3500 lbs (5-30 hp) 6000 lbs (40-60 hp)			Standard 5-20 hp • 4,500 lbs Standard 25-40 hp • 7,500 lbs	Standard 5-20 hp • 4,500 lbs Standard 25-40 hp • 7,500 lbs
Method Of Connecting System Ground To Motor	Ground wire in power lead connector		Per standard water well	Ground wire in power lead connector	Ground wire in power lead connector

NOTE: Specifications subject to change without notice; contact Franklin Electric if current material types are required for bid specifications

6" SUBMERSIBLE MOTORS - ORDERING INFORMATION

SINGLE-PHASE MODELS

HP	Description	Volts	Hz	S.F.	Motor Lead	Model No.	In Stock	Thrust Rating	Wt. (lbs)
5	Water Well	230	60	1.15	DOL (3)	2261109020	Yes	3500	110
	Sand Fighter™	230	60	1.15	DOL (3)	2261108020	Yes	3500	110
	316 SS	230	60	1.15	DOL (3)	2261103920	-	3500	110
7.5	Water Well	230	60	1.15	DOL (3)	2261119020	Yes	3500	123
	Sand Fighter™	230	60	1.15	DOL (3)	2261118020	Yes	3500	123
	316 SS	230	60	1.15	DOL (3)	2261113920	-	3500	123
10	Water Well	230	60	1.15	DOL (3)	2261129020	Yes	3500	141
	Sand Fighter™	230	60	1.15	DOL (3)	2261128020	Yes	3500	141
	316 SS	230	60	1.15	DOL (3)	2261123920	-	3500	141
15	Water Well	230	60	1.15	DOL (3)	2261139020	Yes	3500	154
	Sand Fighter™	230	60	1.15	DOL (3)	2261138020	Yes	3500	154
	316 SS	230	60	1.15	DOL (3)	2261133920	-	3500	154

THREE-PHASE MODELS

HP	Description	Volts	Hz	S.F.	Motor Lead	Model No.	In Stock	Thrust Rating	Wt. (lbs)
5	Water Well	200	60	1.15	DOL (3)	2366509020	Yes	3500	101
		220	50	1.0	DOL (3)	2366809020	-	3500	101
		230	60	1.15	DOL (3)	2366009020	Yes	3500	101
		230	60	1.15	Y-Δ (6)	2367209020	-	3500	106
		380	60	1.15	DOL (3)	2366609020	-	3500	101
		380	60	1.15	Y-Δ (6)	2367809020	-	3500	106
		415	50	1.0	DOL (3)	2366909020	-	3500	101
		460/380	60/50	1.15/1.0	DOL (3)	2366109020	Yes	3500	101
		460/380	60/50	1.15/1.0	Y-Δ (6)	2367109020	-	3500	106
		575	60	1.15	DOL (3)	2366209020	-	3500	101
	Sand Fighter™	200	60	1.15	DOL (3)	2366508120	Yes	3500	101
		220	50	1.0	DOL (3)	2366808120	-	3500	101
		230	60	1.15	DOL (3)	2366008120	Yes	3500	101
		380	60	1.15	DOL (3)	2366608120	-	3500	101
		460/380	60/50	1.15/1.0	DOL (3)	2366108120	Yes	3500	101
		460/380	60/50	1.15/1.0	Y-Δ (6)	2367108120	-	3500	106
		575	60	1.15	DOL (3)	2366208120	Yes	3500	101
	316 SS w/SubTrol™	200	60	1.15	DOL (3)	2366504020	-	3500	101
		230	60	1.15	DOL (3)	2366004020	Yes	3500	101
		380	60	1.15	DOL (3)	2366604020	-	3500	101
		460/380	60/50	1.15/1.0	DOL (3)	2366104020	Yes	3500	101
		460/380	60/50	1.15/1.0	Y-Δ (6)	2367104020	-	3500	106
		575	60	1.15	DOL (3)	2366204020	-	3500	101
	Hi-Temp 90°C	200	60	1.15	DOL (3)	2766500003	-	4500	116
		230	60	1.15	DOL (3)	2766000003	-	4500	116
		380	60	1.15	DOL (3)	2766600003	-	4500	116
		460/380	60/50	1.15/1.0	DOL (3)	2766100003	-	4500	116
		460/380	60/50	1.15/1.0	Y-Δ (6)	2767100003	-	4500	121
		575	60	1.15	DOL (3)	2766200003	-	4500	116
	Hi-Temp 90°C - 316 SS	200	60	1.15	DOL (3)	2766503003	-	4500	116
230		60	1.15	DOL (3)	2766003003	-	4500	116	
380		60	1.15	DOL (3)	2766603003	-	4500	116	
460/380		60/50	1.15/1.0	DOL (3)	2766103003	-	4500	116	
575		60	1.15	DOL (3)	2766203003	-	4500	116	



6" SUBMERSIBLE MOTORS - ORDERING INFORMATION

THREE-PHASE MODELS

HP	Description	Volts	Hz	S.F.	Motor Lead	Model No.	In Stock	Thrust Rating	Wt. (lbs)
7.5	Water Well	200	60	1.15	DOL (3)	2366519020	Yes	3500	108
		220	50	1.0	DOL (3)	2366819020	-	3500	108
		230	60	1.15	DOL (3)	2366019020	Yes	3500	108
		230	60	1.15	Y-Δ (6)	2367219020	-	3500	113
		380	60	1.15	DOL (3)	2366619020	Yes	3500	108
		380	60	1.15	Y-Δ (6)	2367819020	-	3500	113
		415	50	1.0	DOL (3)	2366919020	-	3500	108
		460/380	60/50	1.15/1.0	DOL (3)	2366119020	Yes	3500	108
		460/380	60/50	1.15/1.0	Y-Δ (6)	2367119020	Yes	3500	113
	575	60	1.15	DOL (3)	2366219020	-	3500	108	
	Sand Fighter™	200	60	1.15	DOL (3)	2366518120	Yes	3500	108
		220	50	1.0	DOL (3)	2366818120	-	3500	108
		230	60	1.15	DOL (3)	2366018120	Yes	3500	108
		380	60	1.15	DOL (3)	2366618120	-	3500	108
		415	50	1.0	DOL (3)	2366918120	-	3500	108
		460/380	60/50	1.15/1.0	DOL (3)	2366118120	Yes	3500	108
		460/380	60/50	1.15/1.0	Y-Δ (6)	2367118120	-	3500	113
		575	60	1.15	DOL (3)	2366218120	Yes	3500	108
	316 SS w/SubTrol™	200	60	1.15	DOL (3)	2366514020	-	3500	108
		230	60	1.15	DOL (3)	2366014020	Yes	3500	108
		380	60	1.15	DOL (3)	2366614020	-	3500	108
		460/380	60/50	1.15/1.0	DOL (3)	2366114020	Yes	3500	108
		460/380	60/50	1.15/1.0	Y-Δ (6)	2367114020	-	3500	113
		575	60	1.15	DOL (3)	2366214020	-	3500	108
		Hi-Temp 90°C	200	60	1.15	DOL (3)	2766510003	-	4500
	230		60	1.15	DOL (3)	2766010003	-	4500	129
	380		60	1.15	DOL (3)	2766610003	-	4500	129
	460/380		60/50	1.15/1.0	DOL (3)	2766110003	-	4500	129
	460/380		60/50	1.15/1.0	Y-Δ (6)	2767110003	-	4500	134
	575		60	1.15	DOL (3)	2766210003	-	4500	129
	Hi-Temp 90°C - 316 SS		200	60	1.15	DOL (3)	2766513003	-	4500
		230	60	1.15	DOL (3)	2766013003	-	4500	129
		380	60	1.15	DOL (3)	2766613003	-	4500	129
460/380		60/50	1.15/1.0	DOL (3)	2766113003	-	4500	129	
575		60	1.15	DOL (3)	2766213003	-	4500	129	

6" SUBMERSIBLE MOTORS - ORDERING INFORMATION

THREE-PHASE MODELS

HP	Description	Volts	Hz	S.F.	Motor Lead	Model No.	In Stock	Thrust Rating	Wt. (lbs)
10	Water Well	200	60	1.15	DOL (3)	2366529020	Yes	3500	116
		220	50	1.0	DOL (3)	2366829020	-	3500	116
		230	60	1.15	DOL (3)	2366029020	Yes	3500	116
		230	60	1.15	Y-Δ (6)	2367229020	-	3500	121
		380	60	1.15	DOL (3)	2366629020	Yes	3500	116
		380	60	1.15	Y-Δ (6)	2367829020	-	3500	121
		415	50	1.0	DOL (3)	2366929020	-	3500	116
		460/380	60/50	1.15/1.0	DOL (3)	2366129020	Yes	3500	116
		460/380	60/50	1.15/1.0	Y- (6)	2367129020	Yes	3500	121
		575	60	1.15	DOL (3)	2366229020	-	3500	116
	Sand Fighter™	200	60	1.15	DOL (3)	2366528120	Yes	3500	116
		220	50	1.0	DOL (3)	2366828120	-	3500	116
		230	60	1.15	DOL (3)	2366028120	Yes	3500	116
		380	60	1.15	DOL (3)	2366628120	-	3500	116
		415	50	1.0	DOL (3)	2366928120	-	3500	116
		460/380	60/50	1.15/1.0	DOL (3)	2366128120	Yes	3500	116
		460/380	60/50	1.15/1.0	Y-Δ (6)	2367128120	-	3500	121
		575	60	1.15	DOL (3)	2366228120	Yes	3500	116
	316 SS w/SubTrol™	200	60	1.15	DOL (3)	2366524020	-	3500	116
		230	60	1.15	DOL (3)	2366024020	Yes	3500	116
		380	60	1.15	DOL (3)	2366624020	-	3500	116
		460/380	60/50	1.15/1.0	DOL (3)	2366124020	Yes	3500	116
		460/380	60/50	1.15/1.0	Y-Δ (6)	2367124020	-	3500	121
		575	60	1.15	DOL (3)	2366224020	-	3500	116
	Hi-Temp 90°C	200	60	1.15	DOL (3)	2766520003	-	4500	145
		230	60	1.15	DOL (3)	2766020003	-	4500	145
		380	60	1.15	DOL (3)	2766620003	-	4500	145
		460/380	60/50	1.15/1.0	DOL (3)	2766120003	Yes	4500	145
		460/380	60/50	1.15/1.0	Y-Δ (6)	2767120003	-	4500	150
		575	60	1.15	DOL (3)	2766220003	-	4500	145
	Hi-Temp 90°C - 316 SS	200	60	1.15	DOL (3)	2766523003	-	4500	145
		230	60	1.15	DOL (3)	2766023003	-	4500	145
		380	60	1.15	DOL (3)	2766623003	-	4500	145
		460/380	60/50	1.15/1.0	DOL (3)	2766123003	-	4500	145
		575	60	1.15	DOL (3)	2766223003	-	4500	145



6" SUBMERSIBLE MOTORS - ORDERING INFORMATION

THREE-PHASE MODELS

HP	Description	Volts	Hz	S.F.	Motor Lead	Model No.	In Stock	Thrust Rating	Wt. (lbs)
15	Water Well	200	60	1.15	DOL (3)	2366539020	Yes	3500	129
		200	60	1.15	Y-Δ (6)	2367639020	-	3500	134
		220	50	1.0	DOL (3)	2366839020	-	3500	129
		230	60	1.15	DOL (3)	2366039020	Yes	3500	129
		230	60	1.15	Y-Δ (6)	2367239020	Yes	3500	134
		380	60	1.15	DOL (3)	2366639020	Yes	3500	129
		380	60	1.15	Y-Δ (6)	2367839020	-	3500	134
		415	50	1.0	DOL (3)	2366939020	-	3500	129
		460/380	60/50	1.15/1.0	DOL (3)	2366139020	Yes	3500	129
		460/380	60/50	1.15/1.0	Y-Δ (6)	2367139020	Yes	3500	134
		575	60	1.15	DOL (3)	2366239020	-	3500	129
	Sand Fighter™	200	60	1.15	DOL (3)	2366538120	Yes	3500	129
		220	50	1.0	DOL (3)	2366838120	-	3500	129
		230	60	1.15	DOL (3)	2366038120	Yes	3500	129
		380	60	1.15	DOL (3)	2366638120	-	3500	129
		415	50	1.0	DOL (3)	2366938120	-	3500	129
		460/380	60/50	1.15/1.0	DOL (3)	2366138120	Yes	3500	129
		460/380	60/50	1.15/1.0	Y-Δ (6)	2367138120	-	3500	134
		575	60	1.15	DOL (3)	2366238120	Yes	3500	129
	316 SS w/SubTrol™	200	60	1.15	DOL (3)	2366534020	-	3500	129
		230	60	1.15	DOL (3)	2366034020	Yes	3500	129
		380	60	1.15	DOL (3)	2366634020	-	3500	129
		460/380	60/50	1.15/1.0	DOL (3)	2366134020	Yes	3500	129
		460/380	60/50	1.15/1.0	Y-Δ (6)	2367134020	-	3500	134
		575	60	1.15	DOL (3)	2366234020	-	3500	129
	Hi-Temp 90°C	200	60	1.15	DOL (3)	2766530003	-	4500	156
		230	60	1.15	DOL (3)	2766030003	-	4500	156
		380	60	1.15	DOL (3)	2766630003	-	4500	156
		460/380	60/50	1.15/1.0	DOL (3)	2766130003	Yes	4500	156
		460/380	60/50	1.15/1.0	Y-Δ (6)	2767130003	-	4500	161
		575	60	1.15	DOL (3)	2766230003	-	4500	156
	Hi-Temp 90°C - 316 SS	200	60	1.15	DOL (3)	2766533003	-	4500	156
		230	60	1.15	DOL (3)	2766033003	-	4500	156
		380	60	1.15	DOL (3)	2766633003	-	4500	156
		460/380	60/50	1.15/1.0	DOL (3)	2766133003	-	4500	156
		575	60	1.15	DOL (3)	2766233003	-	4500	156

6" SUBMERSIBLE MOTORS - ORDERING INFORMATION

THREE-PHASE MODELS

HP	Description	Volts	Hz	S.F.	Motor Lead	Model No.	In Stock	Thrust Rating	Wt. (lbs)
20	Water Well	200	60	1.15	DOL (3)	2366549020	Yes	3500	145
		200	60	1.15	Y-Δ (6)	2367649020	-	3500	150
		220	50	1.0	DOL (3)	2366849020	-	3500	145
		230	60	1.15	DOL (3)	2366049020	Yes	3500	145
		230	60	1.15	Y-Δ (6)	2367249020	-	3500	150
		380	60	1.15	DOL (3)	2366649020	Yes	3500	145
		380	60	1.15	Y-Δ (6)	2367849020	-	3500	150
		415	50	1.0	DOL (3)	2366949020	-	3500	145
		460/380	60/50	1.15/1.0	DOL (3)	2366149020	Yes	3500	145
		460/380	60/50	1.15/1.0	Y-Δ (6)	2367149020	Yes	3500	150
		575	60	1.15	DOL (3)	2366249020	-	3500	145
	Sand Fighter™	200	60	1.15	DOL (3)	2366548120	Yes	3500	145
		220	50	1.0	DOL (3)	2366848120	-	3500	145
		230	60	1.15	DOL (3)	2366048120	Yes	3500	145
		380	60	1.15	DOL (3)	2366648120	-	3500	145
		415	50	1.0	DOL (3)	2366948120	-	3500	145
		460/380	60/50	1.15/1.0	DOL (3)	2366148120	Yes	3500	145
		460/380	60/50	1.15/1.0	Y-Δ (6)	2367148120	-	3500	150
		575	60	1.15	DOL (3)	2366248120	Yes	3500	145
	316 SS w/SubTrol™	200	60	1.15	DOL (3)	2366544020	-	3500	145
		230	60	1.15	DOL (3)	2366044020	Yes	3500	145
		380	60	1.15	DOL (3)	2366644020	-	3500	145
		460/380	60/50	1.15/1.0	DOL (3)	2366144020	Yes	3500	145
		460/380	60/50	1.15/1.0	Y-Δ (6)	2367144020	-	3500	150
		575	60	1.15	DOL (3)	2366244020	-	3500	145
	Hi-Temp 90°C	200	60	1.15	DOL (3)	2766540003	-	4500	174
		230	60	1.15	DOL (3)	2766040003	-	4500	174
		380	60	1.15	DOL (3)	2766640003	-	4500	174
		460/380	60/50	1.15/1.0	DOL (3)	2766140003	Yes	4500	174
		460/380	60/50	1.15/1.0	Y-Δ (6)	2767140003	-	4500	179
		575	60	1.15	DOL (3)	2766240003	-	4500	174
	Hi-Temp 90°C - 316 SS	200	60	1.15	DOL (3)	2766543003	-	4500	174
		230	60	1.15	DOL (3)	2766043003	-	4500	174
		380	60	1.15	DOL (3)	2766643003	-	4500	174
		460/380	60/50	1.15/1.0	DOL (3)	2766143003	-	4500	174
		575	60	1.15	DOL (3)	2766243003	-	4500	174



6" SUBMERSIBLE MOTORS - ORDERING INFORMATION

THREE-PHASE MODELS

HP	Description	Volts	Hz	S.F.	Motor Lead	Model No.	In Stock	Thrust Rating	Wt. (lbs)
25	Water Well	200	60	1.15	DOL (3)	2366559020	Yes	3500	156
		200	60	1.15	Y-Δ (6)	2367659020	-	3500	161
		220	50	1.0	DOL (3)	2366859020	-	3500	156
		230	60	1.15	DOL (3)	2366059020	Yes	3500	156
		230	60	1.15	Y-Δ (6)	2367259020	-	3500	161
		380	60	1.15	DOL (3)	2366659020	Yes	3500	156
		380	60	1.15	Y-Δ (6)	2367859020	-	3500	161
		415	50	1.0	DOL (3)	2366959020	-	3500	156
		460/380	60/50	1.15/1.0	DOL (3)	2366159020	Yes	3500	156
		460/380	60/50	1.15/1.0	Y-Δ (6)	2367159020	Yes	3500	161
	575	60	1.15	DOL (3)	2366259020	-	3500	156	
	Sand Fighter™	200	60	1.15	DOL (3)	2366558120	Yes	3500	156
		220	50	1.0	DOL (3)	2366858120	-	3500	156
		230	60	1.15	DOL (3)	2366058120	Yes	3500	156
		380	60	1.15	DOL (3)	2366658120	-	3500	156
		415	50	1.0	DOL (3)	2366958120	-	3500	156
		460/380	60/50	1.15/1.0	DOL (3)	2366158120	Yes	3500	156
		460/380	60/50	1.15/1.0	Y-Δ (6)	2367158120	-	3500	161
		575	60	1.15	DOL (3)	2366258120	Yes	3500	156
	316 SS w/SubTrol™	200	60	1.15	DOL (3)	2366554020	-	3500	156
		230	60	1.15	DOL (3)	2366054020	-	3500	156
		380	60	1.15	DOL (3)	2366654020	-	3500	156
		460/380	60/50	1.15/1.0	DOL (3)	2366154020	Yes	3500	156
		460/380	60/50	1.15/1.0	Y-Δ (6)	2367154020	-	3500	161
		575	60	1.15	DOL (3)	2366254020	-	3500	156
	Hi-Temp 90°C	200	60	1.15	DOL (3)	2766550103	-	7500	202
		230	60	1.15	DOL (3)	2766050103	-	7500	202
		380	60	1.15	DOL (3)	2766650103	-	7500	202
		460/380	60/50	1.15/1.0	DOL (3)	2766150103	Yes	7500	202
		460/380	60/50	1.15/1.0	Y-Δ (6)	2767150103	-	7500	207
		575	60	1.15	DOL (3)	2766250103	-	7500	202
	Hi-Temp 90°C - 316 SS	200	60	1.15	DOL (3)	2766553103	-	7500	202
		230	60	1.15	DOL (3)	2766053103	-	7500	202
		380	60	1.15	DOL (3)	2766653103	-	7500	202
		460/380	60/50	1.15/1.0	DOL (3)	2766153103	-	7500	202
		575	60	1.15	DOL (3)	2766253103	-	7500	202

6" SUBMERSIBLE MOTORS - ORDERING INFORMATION

THREE-PHASE MODELS

HP	Description	Volts	Hz	S.F.	Motor Lead	Model No.	In Stock	Thrust Rating	Wt. (lbs)
30	Water Well	200	60	1.15	DOL (3)	2366569020	Yes	3500	174
		200	60	1.15	Y-Δ (6)	2367669020	-	3500	179
		220	50	1.0	DOL (3)	2366869020	-	3500	174
		230	60	1.15	DOL (3)	2366069020	Yes	3500	174
		230	60	1.15	Y-Δ (6)	2367269020	-	3500	179
		380	60	1.15	DOL (3)	2366669020	Yes	3500	174
		380	60	1.15	Y-Δ (6)	2367869020	-	3500	179
		415	50	1.0	DOL (3)	2366969020	-	3500	174
		460/380	60/50	1.15/1.0	DOL (3)	2366169020	Yes	3500	174
		460/380	60/50	1.15/1.0	Y-Δ (6)	2367169020	Yes	3500	179
		575	60	1.15	DOL (3)	2366269020	-	3500	174
	Sand Fighter™	200	60	1.15	DOL (3)	2366568120	Yes	3500	174
		220	50	1.0	DOL (3)	2366868120	-	3500	174
		230	60	1.15	DOL (3)	2366068120	Yes	3500	174
		380	60	1.15	DOL (3)	2366668120	-	3500	174
		415	50	1.0	DOL (3)	2366968120	-	3500	174
		460/380	60/50	1.15/1.0	DOL (3)	2366168120	Yes	3500	174
		460/380	60/50	1.15/1.0	Y-Δ (6)	2367168120	-	3500	179
		575	60	1.15	DOL (3)	2366268120	Yes	3500	174
	316 SS w/SubTrol™	200	60	1.15	DOL (3)	2366564020	-	3500	174
		230	60	1.15	DOL (3)	2366064020	-	3500	174
		380	60	1.15	DOL (3)	2366664020	-	3500	174
		460/380	60/50	1.15/1.0	DOL (3)	2366164020	Yes	3500	174
		460/380	60/50	1.15/1.0	Y-Δ (6)	2367164020	-	3500	179
		575	60	1.15	DOL (3)	2366264020	-	3500	174
	Hi-Temp 90°C	200	60	1.15	DOL (3)	2766560103	-	7500	300
		230	60	1.15	DOL (3)	2766060103	-	7500	300
		380	60	1.15	DOL (3)	2766660103	-	7500	300
		460/380	60/50	1.15/1.0	DOL (3)	2766160103	Yes	7500	300
		460/380	60/50	1.15/1.0	Y-Δ (6)	2767160103	-	7500	305
		575	60	1.15	DOL (3)	2766260103	-	7500	300
	Hi-Temp 90°C - 316 SS	200	60	1.15	DOL (3)	2766563103	-	7500	300
		230	60	1.15	DOL (3)	2766063103	-	7500	300
		380	60	1.15	DOL (3)	2766663103	-	7500	300
		460/380	60/50	1.15/1.0	DOL (3)	2766163103	-	7500	300
		575	60	1.15	DOL (3)	2766263103	-	7500	300



6" SUBMERSIBLE MOTORS - ORDERING INFORMATION

THREE-PHASE MODELS

HP	Description	Volts	Hz	S.F.	Motor Lead	Model No.	In Stock	Thrust Rating	Wt. (lbs)
40	Water Well	200	60	1.15	Y-Δ (6)	2367679025	-	6000	207
		230	60	1.15	Y-Δ (6)	2367279025	-	6000	207
		380	60	1.15	DOL (3)	2366679025	-	6000	202
		380	60	1.15	Y-Δ (6)	2367879025	-	6000	207
		415	50	1.0	DOL (3)	2366979025	-	6000	202
		460/380	60/50	1.15/1.0	DOL (3)	2366179025	Yes	6000	202
		460/380	60/50	1.15/1.0	Y-Δ (6)	2367179025	-	6000	207
		575	60	1.15	DOL (3)	2366279025	-	6000	202
	Sand Fighter™	380	60	1.15	DOL (3)	2366678125	Yes	6000	202
		415	50	1.0	DOL (3)	2366978125	-	6000	202
		460/380	60/50	1.15/1.0	DOL (3)	2366178125	Yes	6000	202
		460/380	60/50	1.15/1.0	Y-Δ (6)	2367178125	Yes	6000	207
		575	60	1.15	DOL (3)	2366278125	Yes	6000	202
	316 SS w/SubTro™	380	60	1.15	DOL (3)	2366674025	-	6000	202
		460/380	60/50	1.15/1.0	DOL (3)	2366174025	Yes	6000	202
		460/380	60/50	1.15/1.0	Y-Δ (6)	2367174025	-	6000	207
		575	60	1.15	DOL (3)	2366274025	-	6000	202
	Hi-Temp 90°C	380	60	1.15	DOL (3)	2766670103	-	10000	330
		460/380	60/50	1.15/1.0	DOL (3)	2766170103	Yes	10000	330
		460/380	60/50	1.15/1.0	Y-Δ (6)	2767170103	-	10000	335
		575	60	1.15	DOL (3)	2766270103	-	10000	330
	Hi-Temp 90°C - 316 SS	380	60	1.15	DOL (3)	2766673103	-	10000	330
		460/380	60/50	1.15/1.0	DOL (3)	2766173103	-	10000	330
		575	60	1.15	DOL (3)	2766273103	-	10000	330
50	Sand Fighter™	380	60	1.15	DOL (3)	2366688125	Yes	6000	300
		460/380	60/50	1.15/1.0	DOL (3)	2366188125	Yes	6000	300
		460/380	60/50	1.15/1.0	Y-Δ (6)	2367188125	Yes	6000	305
		575	60	1.15	DOL (3)	2366288125	Yes	6000	300
	316 SS	380	60	1.15	DOL (3)	2366684025	-	6000	300
		460/380	60/50	1.15/1.0	DOL (3)	2366184025	Yes	6000	300
		460/380	60/50	1.15/1.0	Y-Δ (6)	2367184025	-	6000	305
		575	60	1.15	DOL (3)	2366284025	-	6000	300
60	Sand Fighter™	380	60	1.15	DOL (3)	2366698125	Yes	6000	330
		460/380	60/50	1.15/1.0	DOL (3)	2366198125	Yes	6000	330
		460/380	60/50	1.15/1.0	Y-Δ (6)	2367198125	Yes	6000	335
		575	60	1.15	DOL (3)	2366298125	Yes	6000	330
	316 SS	380	60	1.15	DOL (3)	2366694025	-	6000	330
		460/380	60/50	1.15/1.0	DOL (3)	2366194025	Yes	6000	330
		460/380	60/50	1.15/1.0	Y-Δ (6)	2367194025	-	6000	335
		575	60	1.15	DOL (3)	2366294025	-	6000	330

NOTE: Models designated above as Sand Fighter™ are water well construction; all 316 SS and Ni-Resist models are equipped with Sand Fighter™ sealing system; all models listed above include factory-installed leads (13 ft)

6" SUBMERSIBLE MOTORS - DIMENSIONS AND WEIGHTS

STANDARD

HP / kW	Construction	"L" (in)	Motor Carton Size (in)			Shipping Wt.	
			W	H	L	lbs	kg
5 / 3.7	304 SS 3-Lead	22.9	7.50	10.75	34.50	101	46
	316 SS 3-Lead	22.5	7.50	10.75	34.50	101	46
7.5 / 5.5	304 SS 3-Lead	24.2	7.50	10.75	34.50	108	49
	316 SS 3-Lead	23.8	7.50	10.75	34.50	108	49
10 / 7.5	304 SS 3-Lead	25.4	7.50	10.75	34.50	116	53
	316 SS 3-Lead	25.0	7.50	10.75	34.50	116	53
15 / 11	304 SS 3-Lead	28.0	7.50	10.75	34.50	129	59
	316 SS 3-Lead	27.6	7.50	10.75	34.50	129	59
20 / 15	304 SS 3-Lead	30.6	7.50	10.75	37.00	145	66
	316 SS 3-Lead	30.2	7.50	10.75	37.00	145	66
25 / 18.5	304 SS 3-Lead	33.1	7.50	10.75	42.25	156	71
	316 SS 3-Lead	32.7	7.50	10.75	42.25	156	71
30 / 22	304 SS 3-Lead	35.7	7.50	10.75	42.25	174	79
	316 SS 3-Lead	35.3	7.50	10.75	42.25	174	79
40 / 30	304 SS 3-Lead	40.8	7.50	10.75	47.25	202	92
	316 SS 3-Lead	40.4	7.50	10.75	47.25	202	92
50 / 37	304 SS 3-Lead	55.3	8.75	10.50	71.75	300	136
	316 SS 3-Lead	59.2	8.75	10.50	71.75	300	136
60 - 45	304 SS 3-Lead	61.3	8.75	10.50	71.75	330	150
	316 SS 3-Lead	65.2	8.75	10.50	71.75	330	150

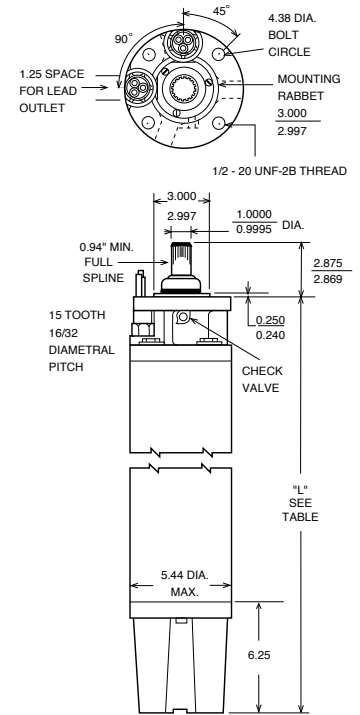
NOTE: 6-Lead Y-Δ models available (add 5 lbs to shipping weight)

HIGH-TEMP 90

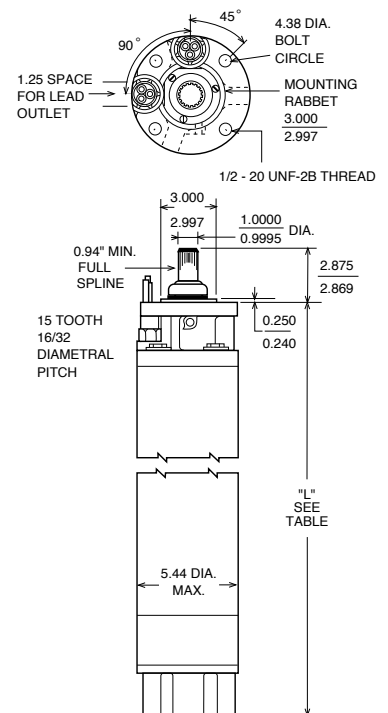
HP / kW	Construction	L (in)	Motor Carton Size (in)			Shipping Wt.	
			W	H	L	lbs	kg
5 / 3.7	304 SS 3-Lead	26.4	9	11	35	116	53
	316 SS 3-Lead	26.4	9	11	35	116	53
7.5 / 5.5	304 SS 3-Lead	28.96	9	11	37	129	59
	316 SS 3-Lead	28.96	9	11	37	129	59
10 / 7.5	304 SS 3-Lead	31.52	9	11	42	145	66
	316 SS 3-Lead	31.52	9	11	42	145	66
15 / 11	304 SS 3-Lead	34.09	9	11	42	156	71
	316 SS 3-Lead	34.09	9	11	42	156	71
20 / 15	304 SS 3-Lead	36.65	9	11	51	174	79
	316 SS 3-Lead	36.65	9	11	51	174	79
25 / 18.5	304 SS 3-Lead	41.77	9	11	51	202	92
	316 SS 3-Lead	41.77	9	11	51	202	92
30 / 22	304 SS 3-Lead	58.14	9	11	72	300	136
	316 SS 3-Lead	58.14	9	11	72	300	136
40 / 30	304 SS 3-Lead	64.14	9	11	72	330	150
	316 SS 3-Lead	64.14	9	11	72	330	150

NOTE: 6-Lead Y-Δ models available (add 5 lbs to shipping weight)

Standard Water Well



316 Stainless





6" SUBMERSIBLE MOTORS - LEADS AND ACCESSORIES

MOTOR LEADS AND CABLES

HP	Model	Description	Wire AWG	Model No.	Wt. (lbs)
All	Standard	Lead, XLPE, Brass, 13 ft, w/Ground	8	305517901	4
		Lead, XLPE, Brass, 26 ft, w/Ground	8	305517902	9
		Lead, XLPE, 316 SS, 13 ft, w/Ground	8	305517951	4
		Lead, XLPE, 316 SS, 26 ft, w/Ground	10	305518952	9
		Lead, XLPE, 316 SS, 26 ft, w/Ground	8	305517952	9
5-30		Lead, XLPE, 316 SS, 50 ft, w/Ground	10	305518955	11
		Lead, XLPE, 316 SS, 50 ft, w/Ground	8	305517955	16
		Lead, XLPE, 316 SS, 75 ft, w/Ground	10	305518957	16
		Lead, XLPE, 316 SS, 75 ft, w/Ground	8	305517957	24
		Lead, XLPE, 316 SS, 100 ft, w/Ground	10	305518960	21
		Lead, XLPE, 316 SS, 100 ft, w/Ground	8	305517960	32
		Lead, XLPE, 316 SS, 125 ft, w/Ground	10	305518962	27
		Lead, XLPE, 316 SS, 125 ft, w/Ground	8	305517962	40
		Lead, XLPE, 316 SS, 150 ft, w/Ground	10	305518965	32
		Lead, XLPE, 316 SS, 150 ft, w/Ground	8	305517965	48
All	Hi-Temp	Lead, XLPO, 316 SS, 13 ft, w/Ground	8	305519951	4
		Lead, XLPO, 316 SS, 26 ft, w/Ground	8	305519952	9
		Lead, XLPO, 316 SS, 50 ft, w/Ground	8	305519955	16
5-30		Lead, XLPO, 316 SS, 75 ft, w/Ground	8	305519957	24
		Lead, XLPO, 316 SS, 100 ft, w/Ground	8	305519960	32
		Lead, XLPO, 316 SS, 125 ft, w/Ground	8	305519962	40
		Lead, XLPO, 316 SS, 150 ft, w/Ground	8	305519965	48

NOTE: Refer to Franklin Application Installation Maintenance (AIM) Manual for accurate cable sizing; MOTOR WARRANTY IS VOID if Franklin-supplied leads are not used

MOTOR ACCESSORIES

HP	Description	Model No.	Wt. (lbs)
All	Coupling, 6-inch, #416 SS, 3/4" Pump Shaft, 3/16 x 1/8 x 1-3/4 Key	151935902	2
	Coupling, 6-inch, #416 SS, 7/8" Pump Shaft, 1/4 x 3/16 x 1-3/4 Key	151935901	2
	Coupling, 6-inch, #416 SS, 1" Pump Shaft, 1/4 x 3/16 x 1-3/4 Key	151935909	2
	Coupling, 6-inch, #316 SS, 3/4" Pump Shaft, 3/16 x 1/8 x 1-3/4 Key	151935922	2
	Coupling, 6-inch, #316 SS, 7/8" Pump Shaft, 1/4 x 3/16 x 1-3/4 Key	151935921	2
	Coupling, 6-inch, #316 SS, 1" Pump Shaft, 1/4 x 3/16 x 1-3/4 Key	151935929	2
	Surge Arrestor - Three-Phase - Up to 650 V to Ground	155440902	2
	PT 100 Sensor - 6-inch (1/2-13 Threads)	305327903	<2

8" SUBMERSIBLE MOTORS

These motors are built for dependable operation in vertical 8" diameter or larger water wells.

BASIC FEATURES

- Double flanged NEMA mounting design
- Stainless steel splined shaft
- StatorShield™ six feature encapsulation system
- High-capacity, Kingsbury-type, water lubricated thrust bearing
- Factory filled with Franklin's non-toxic water soluble fill solution
- Field replaceable lead using Franklin's exclusive Water Bloc™ technology
- Full 3,525 rpm 60 Hz design point
- External sand slinger on shaft
- Mechanical face seal at shaft exit
- Copper bar rotor
- All models are variable frequency drive (VFD) compatible
- Franklin's Exclusive on-winding SubTrol™ heat sensor for use with SubMonitor™

SPECIAL FEATURES

- Sand Fighter™ and 316 stainless steel models are equipped with Franklin's exclusive Sand Fighter™ sealing system for sand or other abrasives

Consult factory for other voltage, hertz and horsepower ratings not listed in this catalog; specifications are subject to change without notice; contact Franklin Electric if current materials are required for bid specifications





8" SUBMERSIBLE MOTORS - SPECIFICATIONS AND MATERIALS

THREE-PHASE MOTOR SPECIFICATIONS

Hz	Model	Phase	HP Range	kW Range	Poles	RPM	Max. Ambient Temp.	Duty Rating
50	Standard	3	40 - 200	30 - 150	2	2900	86 °F / 30 °C	Continuous*
	Hi-Temp 75		40 - 150	30 - 110			167 °F / 75 °C	
60	Standard		40 - 200	30 - 150		3525	86 °F / 30 °C	
	Hi-Temp 75		40 - 150	30 - 110			167 °F / 75 °C	

* At 0.5 ft/sec flow past motor; Motors are also rated for continuous duty up to 86 °F (30 °C) water temperature with NO FLOW in lakes or in wells 12 inches or larger in diameter; Higher temperature ambient motors are available in the 8" Hi-Temp motor line

CONSTRUCTION MATERIALS

Component	Construction Type				
	Std. Water Well (300 SS Shell)	Sand Fighter™ (300 SS Shell)	Corrosion Resistant (316 SS)	Hi-Temp 75 (300 SS Shell)	Hi-Temp 75 (316 SS)
UL Insulation Class Rating	-	-	-	Class F	Class F
Motor Ambient Temp. Rating	-	-	-	167 °F / 75 °C	167 °F / 75 °C
Stator Resin Type	FE Standard	Per standard water well	Per standard water well	FE Hi-Temp	FE Hi-Temp
Motor Fill Solution (Water Soluble/Non-Toxic)	FES91	Per standard water well	Per standard water well	FES92	FES92
Top End Bell & Thrust Housing	Epoxy-coated gray iron	Per standard water well	316 SS	Epoxy-coated gray iron	316 SS
SubTrol™ heat sensor (Mounted On Winding)	Yes	Per standard water well	Per standard water well	No	No
Stator Shell	300 series SS	Per standard water well	316 SS	300 series SS	316 SS
Stator Ends	Carbon Steel	Per standard water well	316 SS	Carbon Steel	316 SS
Shaft Extension	17-4 SS	Per standard water well	Per standard water well	17-4 SS	17-4 SS
Bushing	Bronze	Per standard water well	316 SS	Bronze	316 SS
Bushing Retainer	300 series SS	Per standard water well	316 SS	300 series SS	316 SS
Shaft Mechanical Seal	Carbon ceramic (40-125 hp) Sand Fighter™ Seal System (150-200 hp)	Sand Fighter™ Seal System	Sand Fighter™ Seal System	Sand Fighter™ Seal System	Sand Fighter™ Seal System
Mechanical Seal / Rubber Components	Nitrile	Per standard water well	Per standard water well	FKM	FKM
Diaphragm Material	Nitrile	Per standard water well	Per standard water well	FKM	FKM
Diaphragm Plate	300 SS	Per standard water well	316 SS	316 SS	316 SS
Diaphragm Spring	300 SS	Per standard water well	316 SS	316 SS	316 SS
Shaft Slinger	Nitrile	Per standard water well	Per standard water well	FKM	FKM
Lead Wire	XLPE (#8 AWG) / Hypalon (#4 & #2 AWG)	Per standard water well	Per standard water well	XLPO	XLPO
Lead Potting	Epoxy	Per standard water well	Per standard water well	Epoxy	Epoxy
Lead Jam Nut or Compression Plate	Brass jam nut (40-125 hp) 316 SS plate (150-200 hp)	Per standard water well	316 SS jam nut (40-125 hp) 316 SS plate (150-200 hp)	316 SS plate (150-200 hp)	316 SS plate (150-200 hp)
Thrust Bearing Rating (86 °F / 30 °C)	10,000 lbs	Per standard water well	Per standard water well	12,500 lbs (86 °F / 30 °C) 10,000 lbs (167 °F / 75 °C)	12,500 lbs (86 °F / 30 °C) 10,000 lbs (167 °F / 75 °C)
Method Of Connecting System Ground To Motor	Ground lug on top end bell	Per standard water well	Per standard water well	Ground lug on top end bell	Ground lug on top end bell

NOTE: Specifications subject to change without notice; Contact Franklin Electric if current material types are required for bid specifications

8" SUBMERSIBLE MOTORS - ORDERING INFORMATION

THREE-PHASE MODELS

HP	Description	Volts	Hz	S.F.	Motor Lead	Model No.	In Stock	Thrust Rating	Wt. (lbs)
40	Water Well	380	60	1.15	DOL (3)	2396606021	-	10000	320
		380	60	1.15	Y-Δ (6)	2396802021	-	10000	325
		460/380	60/50	1.15/1.0	DOL (3)	2396006021	Yes	10000	320
		460/380	60/50	1.15/1.0	Y-Δ (6)	2396202021	-	10000	325
		575	60	1.15	DOL (3)	2396106021	-	10000	320
	Sand Fighter™	380	60	1.15	DOL (3)	2396608521	-	10000	320
		460/380	60/50	1.15/1.0	DOL (3)	2396008521	Yes	10000	320
		460/380	60/50	1.15/1.0	Y-Δ (6)	2396208621	-	10000	325
		575	60	1.15	DOL (3)	2396108521	-	10000	320
		380	60	1.15	DOL (3)	2396606221	-	10000	320
	316 SS	460/380	60/50	1.15/1.0	DOL (3)	2396006221	-	10000	320
		460/380	60/50	1.15/1.0	Y-Δ (6)	2396202221	-	10000	325
		575	60	1.15	DOL (3)	2396106221	-	10000	320
		380	60	1.15	DOL (3)	2791609004	-	12500	400
	Hi-Temp 75°C	380	60	1.15	Y-Δ (6)	2791809004	-	12500	405
		460/380	60/50	1.15/1.0	DOL (3)	2791009004	-	12500	400
		460/380	60/50	1.15/1.0	Y-Δ (6)	2791209004	-	12500	405
		575	60	1.15	DOL (3)	2791109004	-	12500	400
		575	60	1.15	Y-Δ (6)	2791909004	-	12500	405
		460/380	60/50	1.15/1.0	DOL (3)	2791009204	-	12500	400
Hi-Temp 75°C - 316 SS	460/380	60/50	1.15/1.0	DOL (3)	2791009204	-	12500	400	
50	Water Well	380	60	1.15	DOL (3)	2396616021	-	10000	345
		380	60	1.15	Y-Δ (6)	2396812021	-	10000	350
		460/380	60/50	1.15/1.0	DOL (3)	2396016021	Yes	10000	345
		460/380	60/50	1.15/1.0	Y-Δ (6)	2396212021	-	10000	350
		575	60	1.15	DOL (3)	2396116021	-	10000	345
	Sand Fighter™	380	60	1.15	DOL (3)	2396618521	-	10000	345
		460/380	60/50	1.15/1.0	DOL (3)	2396018521	Yes	10000	345
		460/380	60/50	1.15/1.0	Y-Δ (6)	2396218621	-	10000	350
		575	60	1.15	DOL (3)	2396118521	-	10000	345
		380	60	1.15	DOL (3)	2396616221	-	10000	345
	316 SS	460/380	60/50	1.15/1.0	DOL (3)	2396016221	Yes	10000	345
		460/380	60/50	1.15/1.0	Y-Δ (6)	2396212221	-	10000	350
		575	60	1.15	DOL (3)	2396116221	-	10000	345
		380	60	1.15	DOL (3)	2791619004	-	12500	455
	Hi-Temp 75°C	380	60	1.15	Y-Δ (6)	2791819004	-	12500	450
		460/380	60/50	1.15/1.0	DOL (3)	2791019004	-	12500	455
		460/380	60/50	1.15/1.0	Y-Δ (6)	2791219004	-	12500	450
		575	60	1.15	DOL (3)	2791119004	-	12500	455
		575	60	1.15	Y-Δ (6)	2791919004	-	12500	450
		460/380	60/50	1.15/1.0	DOL (3)	2791019204	-	12500	455
Hi-Temp 75°C - 316 SS	460/380	60/50	1.15/1.0	DOL (3)	2791019204	-	12500	455	



8" SUBMERSIBLE MOTORS - ORDERING INFORMATION

THREE-PHASE MODELS

HP	Description	Volts	Hz	S.F.	Motor Lead	Model No.	In Stock	Thrust Rating	Wt. (lbs)	
60	Water Well	380	60	1.15	DOL (3)	2396626021	-	10000	375	
		380	60	1.15	Y-Δ (6)	2396822021	-	10000	380	
		460/380	60/50	1.15/1.0	DOL (3)	2396026021	Yes	10000	375	
		460/380	60/50	1.15/1.0	Y-Δ (6)	2396222021	Yes	10000	380	
		575	60	1.15	DOL (3)	2396126021	Yes	10000	375	
	Sand Fighter™	380	60	1.15	DOL (3)	2396628521	-	10000	375	
		460/380	60/50	1.15/1.0	DOL (3)	2396028521	Yes	10000	375	
		460/380	60/50	1.15/1.0	Y-Δ (6)	2396228621	-	10000	380	
		575	60	1.15	DOL (3)	2396128521	-	10000	375	
		380	60	1.15	DOL (3)	2396626221	-	10000	375	
	316 SS	460/380	60/50	1.15/1.0	DOL (3)	2396026221	Yes	10000	375	
		460/380	60/50	1.15/1.0	Y-Δ (6)	2396222221	-	10000	380	
		575	60	1.15	DOL (3)	2396126221	-	10000	375	
		380	60	1.15	DOL (3)	2791629004	-	12500	555	
	Hi-Temp 75°C	380	60	1.15	Y-Δ (6)	2791829004	-	12500	560	
		460/380	60/50	1.15/1.0	DOL (3)	2791029004	Yes	12500	555	
		460/380	60/50	1.15/1.0	Y-Δ (6)	2791229004	-	12500	560	
		575	60	1.15	DOL (3)	2791129004	-	12500	555	
		575	60	1.15	Y-Δ (6)	2791929004	-	12500	560	
		Hi-Temp 75°C - 316 SS	460/380	60/50	1.15/1.0	DOL (3)	2791029204	-	12500	455
	75	Water Well	380	60	1.15	DOL (3)	2396636041	Yes	10000	430
			380	60	1.15	Y-Δ (6)	2396832041	-	10000	435
			460/380	60/50	1.15/1.0	DOL (3)	2396036041	Yes	10000	430
			460/380	60/50	1.15/1.0	Y-Δ (6)	2396232041	Yes	10000	435
575			60	1.15	DOL (3)	2396136041	Yes	10000	430	
Sand Fighter™		380	60	1.15	DOL (3)	2396638541	-	10000	430	
		460/380	60/50	1.15/1.0	DOL (3)	2396038541	Yes	10000	430	
		460/380	60/50	1.15/1.0	Y-Δ (6)	2396238641	-	10000	435	
		575	60	1.15	DOL (3)	2396138541	-	10000	430	
		380	60	1.15	DOL (3)	2396636241	-	10000	430	
316 SS		460/380	60/50	1.15/1.0	DOL (3)	2396036241	Yes	10000	430	
		460/380	60/50	1.15/1.0	Y-Δ (6)	2396232241	-	10000	435	
		575	60	1.15	DOL (3)	2396136241	-	10000	430	
		380	60	1.15	DOL (3)	2791639004	-	12500	700	
Hi-Temp 75°C		380	60	1.15	Y-Δ (6)	2791839004	-	12500	705	
		460/380	60/50	1.15/1.0	DOL (3)	2791039004	Yes	12500	700	
		460/380	60/50	1.15/1.0	Y-Δ (6)	2791239004	-	12500	705	
		575	60	1.15	DOL (3)	2791139004	-	12500	700	
		575	60	1.15	Y-Δ (6)	2791939004	-	12500	705	
		Hi-Temp 75°C - 316 SS	460/380	60/50	1.15/1.0	DOL (3)	2791039204	-	12500	700

8" SUBMERSIBLE MOTORS - ORDERING INFORMATION

THREE-PHASE MODELS

HP	Description	Volts	Hz	S.F.	Motor Lead	Model No.	In Stock	Thrust Rating	Wt. (lbs)
100	Water Well	380	60	1.15	DOL (3)	2396646041	Yes	10000	530
		380	60	1.15	Y-Δ (6)	2396842041	-	10000	535
		460/380	60/50	1.15/1.0	DOL (3)	2396046041	Yes	10000	530
		460/380	60/50	1.15/1.0	Y-Δ (6)	2396242041	Yes	10000	535
		575	60	1.15	DOL (3)	2396146041	Yes	10000	530
	Sand Fighter™	380	60	1.15	DOL (3)	2396648541	-	10000	530
		460/380	60/50	1.15/1.0	DOL (3)	2396048541	Yes	10000	530
		460/380	60/50	1.15/1.0	Y-Δ (6)	2396248641	-	10000	535
		575	60	1.15	DOL (3)	2396148541	-	10000	530
		380	60	1.15	DOL (3)	2396646241	-	10000	530
	316 SS	460/380	60/50	1.15/1.0	DOL (3)	2396046241	Yes	10000	530
		460/380	60/50	1.15/1.0	Y-Δ (6)	2396242241	-	10000	535
		575	60	1.15	DOL (3)	2396146241	-	10000	530
		380	60	1.15	DOL (3)	2791649004	-	12500	840
	Hi-Temp 75°C	380	60	1.15	Y-Δ (6)	2791849004	-	12500	845
		460/380	60/50	1.15/1.0	DOL (3)	2791049004	Yes	12500	840
		460/380	60/50	1.15/1.0	Y-Δ (6)	2791249004	-	12500	845
		575	60	1.15	DOL (3)	2791149004	-	12500	840
		575	60	1.15	Y-Δ (6)	2791949004	-	12500	845
		460/380	60/50	1.15/1.0	DOL (3)	2791049204	Yes	12500	840
	Hi-Temp 75°C - 316 SS	460/380	60/50	1.15/1.0	DOL (3)	2391656004	-	10000	700
125	Water Well	380	60	1.15	DOL (3)	2391852004	-	10000	705
		380	60	1.15	Y-Δ (6)	2391056004	Yes	10000	700
		460/380	60/50	1.15/1.0	DOL (3)	2391252004	Yes	10000	705
		460/380	60/50	1.15/1.0	Y-Δ (6)	2391156004	Yes	10000	700
		575	60	1.15	DOL (3)	2391658504	-	10000	700
	Sand Fighter™	460/380	60/50	1.15/1.0	DOL (3)	2391058504	Yes	10000	700
		460/380	60/50	1.15/1.0	Y-Δ (6)	2391258604	-	10000	705
		575	60	1.15	DOL (3)	2391158504	-	10000	700
		380	60	1.15	DOL (3)	2391656204	-	10000	700
		460/380	60/50	1.15/1.0	DOL (3)	2391056204	Yes	10000	700
	316 SS	460/380	60/50	1.15/1.0	Y-Δ (6)	2391252204	-	10000	705
		575	60	1.15	DOL (3)	2391156204	-	10000	700
		380	60	1.15	DOL (3)	2791659004	-	12500	945
		380	60	1.15	Y-Δ (6)	2791859004	-	12500	950
	Hi-Temp 75°C	460/380	60/50	1.15/1.0	DOL (3)	2791059004	Yes	12500	945
		460/380	60/50	1.15/1.0	Y-Δ (6)	2791259004	-	12500	950
		575	60	1.15	DOL (3)	2791159004	-	12500	945
		575	60	1.15	Y-Δ (6)	2791959004	-	12500	950
		460/380	60/50	1.15/1.0	DOL (3)	2791059204	Yes	12500	945
	Hi-Temp 75°C - 316 SS	460/380	60/50	1.15/1.0	DOL (3)	2791059204	Yes	12500	945



8" SUBMERSIBLE MOTORS - ORDERING INFORMATION

THREE-PHASE MODELS

HP	Description	Volts	Hz	S.F.	Motor Lead	Model No.	In Stock	Thrust Rating	Wt. (lbs)
150	Sand Fighter™	380	60	1.15	DOL (3)	2391668504	-	10000	840
		380	60	1.15	Y-Δ (6)	2391868604	-	10000	845
		460/380	60/50	1.15/1.0	DOL (3)	2391068504	Yes	10000	840
		460/380	60/50	1.15/1.0	Y-Δ (6)	2391268604	Yes	10000	845
		575	60	1.15	DOL (3)	2391168504	Yes	10000	840
	316 SS	380	60	1.15	DOL (3)	2391666204	-	10000	840
		460/380	60/50	1.15/1.0	DOL (3)	2391066204	Yes	10000	840
		460/380	60/50	1.15/1.0	Y-Δ (6)	2391262204	-	10000	845
		575	60	1.15	DOL (3)	2391166204	-	10000	840
		380	60	1.15	DOL (3)	2791669004	-	12500	1040
	Hi-Temp 75°C	380	60	1.15	Y-Δ (6)	2791869004	-	12500	1045
		460/380	60/50	1.15/1.0	DOL (3)	2791069004	-	12500	1040
		460/380	60/50	1.15/1.0	Y-Δ (6)	2791269004	-	12500	1045
		575	60	1.15	DOL (3)	2791169004	-	12500	1040
		575	60	1.15	Y-Δ (6)	2791969004	-	12500	1045
Hi-Temp 75°C - 316 SS	460/380	60/50	1.15/1.0	DOL (3)	2791069204	-	12500	1040	
175	Sand Fighter™	380	60	1.15	DOL (3)	2391678504	-	10000	945
		380	60	1.15	Y-Δ (6)	2391878604	-	10000	950
		460/380	60/50	1.15/1.0	DOL (3)	2391078504	Yes	10000	945
		460/380	60/50	1.15/1.0	Y-Δ (6)	2391278604	-	10000	950
		575	60	1.15	DOL (3)	2391178504	-	10000	945
	316 SS	380	60	1.15	DOL (3)	2391676204	-	10000	945
		460/380	60/50	1.15/1.0	DOL (3)	2391076204	-	10000	945
		460/380	60/50	1.15/1.0	Y-Δ (6)	2391272204	-	10000	950
		575	60	1.15	DOL (3)	2391176204	-	10000	945
		380	60	1.15	DOL (3)	2391688504	-	10000	1040
200	Sand Fighter™	380	60	1.15	Y-Δ (6)	2391888604	-	10000	1045
		460/380	60/50	1.15/1.0	DOL (3)	2391088504	Yes	10000	1040
		460/380	60/50	1.15/1.0	Y-Δ (6)	2391288604	-	10000	1045
		575	60	1.15	DOL (3)	2391188504	-	10000	1040
		380	60	1.15	DOL (3)	2391686204	-	10000	1040
	316 SS	460/380	60/50	1.15/1.0	DOL (3)	2391086204	-	10000	1040
		460/380	60/50	1.15/1.0	Y-Δ (6)	2391282204	-	10000	1045
		575	60	1.15	DOL (3)	2391186204	-	10000	1040

NOTE: Models designated above as Sand Fighter™ are water well construction; all 316 SS models are equipped with Sand Fighter™ sealing system; all models listed above include factory installed leads (13 ft); motor leads do not include ground

8" SUBMERSIBLE MOTORS - DIMENSIONS AND WEIGHTS

STANDARD

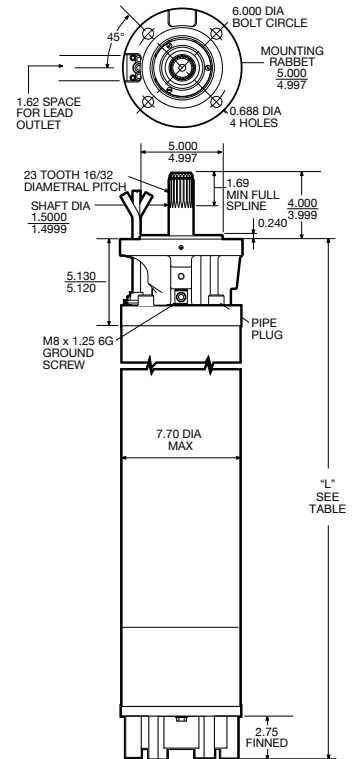
HP / kW	Phase	L (in)	Motor Carton Size (in)			Shipping Wt.	
			W	H	L	lbs	kg
40 / 30	3 (3-Lead)	36.4	9	17	51	320	146
50 / 37		39.4	9	17	51	345	157
60 / 45		42.4	9	17	51	375	171
75 / 55		47.4	9	17	64	430	196
100 / 75		54.9	9	17	64	530	241
125 / 93		68.8	9	17	79	700	318
150 - 110		77.8	9	17	96	840	382
175 - 130		85.8	9	17	96	945	430
200 / 150		94.8	9	17	108	1040	473

NOTE: 6-Lead Y-Δ models available (add 5 lbs to shipping weight)

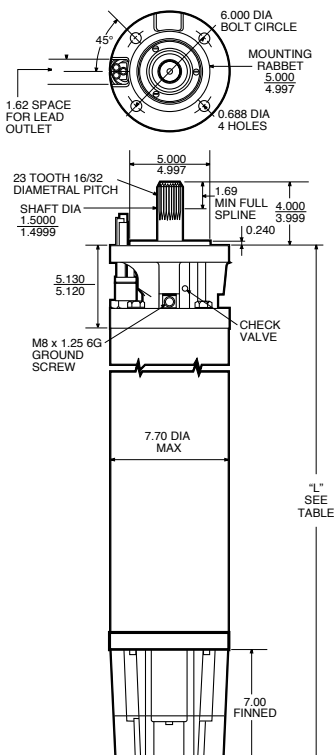
HI-TEMP 75

HP / kW	Phase	L (in)	Motor Carton Size (in)			Shipping Wt.	
			W	H	L	lbs	kg
40 / 30	3	44.8	9	17	64	400	181
50 / 37		49.8	9	17	64	455	206
60 / 45		57.3	9	17	79	555	252
75 / 55		68.8	9	17	79	700	318
100 / 75		77.8	9	17	96	840	382
125 / 93		85.8	9	17	96	945	430
150 - 110		94.8	9	17	108	1040	473

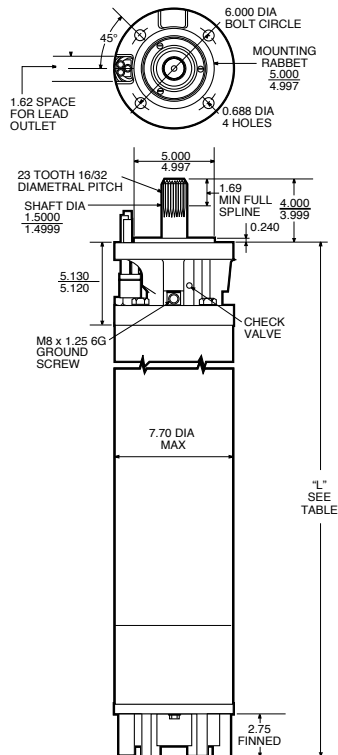
Type 1.0 (40-150 hp)



Type 2.1 (40-100 hp)



Type 1.0 (125-200 hp)





8" SUBMERSIBLE MOTORS - LEADS AND ACCESSORIES

MOTOR LEADS AND CABLES

HP	Model	Description	Wire AWG	Model No.	Wt. (lbs)
40 - 60	Standard	Lead, Brass, 13 ft, No Ground	8	305516901	4
		Lead, Brass, 26 ft, No Ground	8	305516902	9
		Lead, 316 SS, 13 ft, No Ground	8	305516950	4
		Lead, 316 SS, 26 ft, No Ground	8	305516951	9
75-125 DOL / 75-200 Y-D		Lead, Brass, 13 ft, No Ground	4	305310903	9
		Lead, Brass, 26 ft, No Ground	4	305310901	17
		Lead, 316 SS, 13 ft, No Ground	4	305310953	9
75-200 Y-D Only			Lead, 316 SS, 26 ft, No Ground	4	305310951
150-200 DOL Only	All Hi-Temp	Lead, XLPO, 316 SS, 13 ft, No Ground	2	305315901	12
		Lead, XLPO, 316 SS, 26 ft, No Ground	2	305315902	23

NOTE: Refer to Franklin Application Installation Maintenance (AIM) Manual for accurate cable sizing; MOTOR WARRANTY IS VOID if Franklin-supplied leads are not used

MOTOR ACCESSORIES

HP	Description	Model No.	Wt. (lbs)
All	Coupling, 8-inch, #416 SS, 1" Pump Shaft, 1/4 x 1/4 x 2 Key	156563901	5
	Coupling, 8-inch, #416 SS, 1-3/16" Pump Shaft, 1/4 x 1/4 x 2 Key	156563906	5
	Coupling, 8-inch, #416 SS, 1-3/16" Pump Shaft, 5/16 x 5/16 x 2 Key	156563902	5
	Coupling, 8-inch, #416 SS, 1-1/4" Pump Shaft, 5/16 x 5/16 x 2 Key	156563903	5
	Coupling, 8-inch, #416 SS, 1-1/2" Pump Shaft, 3/8 x 3/8 x 2 Key	156563904	5
	Surge Arrestor - Three-Phase - Up to 650 V to Ground	155440902	2
	PT 100 Sensor, 8-inch 40 - 100 HP	305326902	<1
	PT 100 Sensor, 8-inch 125 - 200 HP	305326901	<1

CONTROLS - CONTROL BOXES

The Quick Disconnect (QD) and Capacitor Run Control (CRC) control boxes are designed for use with Franklin 3-wire, single-phase submersible motors through 1 hp. The Standard and Deluxe control boxes are designed for use with Franklin 3-wire, single-phase submersible motors from 1 through 15 hp, and are recommended for water systems that use pressure switches, level switches, or other pilot devices. Deluxe boxes contain magnetic line contractors carefully matched to the motor rating, eliminating the need for external line connectors.

FEATURES: ALL

- Suitable for outdoor mounting
- Capacitor start/run design (except QD boxes)
- UL Listed for US and Canada (60 Hz models)

FEATURES: STANDARD & DELUXE

- Heavy-duty, box-type terminals accept up to AWG #2 wire
- External access to overload resets
- Multiple-size knockouts
- User-friendly connection diagrams
- Easy access to grounding lugs



SINGLE-PHASE SPECIFICATIONS

Box Type	Hz	HP Range	kW Range	Enclosure	Terminal Block		Mag Contactor	Agency Approvals
					Terminals	Max Wire		
Quick Disconnect (QD)	60	1/3 - 1	0.25 - 0.75	NEMA 3R, IP23	5	AWG 10	No	UL listed for US and Canada
Quick Disconnect (QD)	50	1/3 - 1	0.25 - 0.75	NEMA 3R, IP23	5	AWG 10	No	CSA Certified
Capacitor Run Control (CRC)	60	1/2 - 1	0.37 - 0.75	NEMA 3R, IP23	5	AWG 10	No	UL listed for US and Canada
Standard (S)	60	1 - 10	0.75 - 7.5	NEMA 3R, IP23	5	AWG 2	No	UL listed for US and Canada
Standard (S)	50	1.5 - 5	0.75 - 3.7	NEMA 3R, IP23	5	AWG 2	No	CSA Certified
Deluxe (D)	60	2 - 15	1.5 - 11	NEMA 3R, IP23	6	AWG 2	Yes	UL listed for US and Canada
Extra Large Deluxe (D-XL)	60	15	11	NEMA 3R, IP23	5	AWG 00	Yes	UL listed for US and Canada



CONTROLS - CONTROL BOXES

ORDERING INFORMATION

HP (kW)	Description				Model No.	Stock Status
	Phase	Volts	Hz	Type		
1/3 / 0.25	1	115	60	Q	280 102 4915	Yes
		220	50	Q	280 353 0115	-
		230	60	Q	280 103 4915	Yes
1/2 / 0.37		115	60	Q	280 104 4915	Yes
		220	50	Q	280 355 0115	Yes
		230	60	Q	280 105 4915	Yes
3/4 / 0.55		230	60	CRC	282 405 5015	Yes
		220	50	Q	280 357 0115	Yes
		230	60	Q	280 107 4915	Yes
1 / 0.75		230	60	CRC	282 407 5015	Yes
		220	50	Q	280 358 0115	Yes
		230	60	Q	280 108 4915	Yes
1.5 / 1.1		230	60	CRC	282 408 5015	Yes
		220	50	S	282 350 8110	Yes
		230	60	S	282 300 8110	Yes
2 / 1.5	220	50	S	282 351 8110	Yes	
	230	60	S	282 301 8110	Yes	
	230	60	D	282 301 8310	Yes	
3 / 2.2	220	50	S	282 352 8110	Yes	
	230	60	S	282 302 8110	Yes	
	230	60	D	282 302 8310	Yes	
5 / 3.7	220	50	S	282 253 9010	Yes	
	230	60	S	282 113 8110	Yes	
	230	60	D	282 113 9310	Yes	
7.5 / 5.5	230	60	S	282 201 9210	Yes	
	230	60	D	282 201 9310	Yes	
	230	60	S	282 202 9230	Yes	
10 / 7.5	230	60	D	282 202 9330	Yes	
	230	60	D	282 203 9330	Yes	
15 / 11	230	60	D	282 203 9330	Yes	
	230	60	D-XL	282 203 9621	-	

NOTE: Q = Quick Disconnect Control Box; CRC = Capacitor Run Control Box; S = Standard Control Box; D = Deluxe Control Box; D-XL = Extra Large Deluxe Control Box

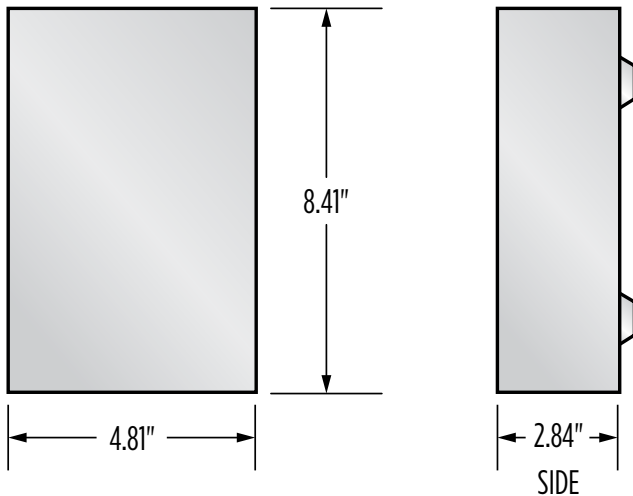
CONTROLS - QUICK DISCONNECT (QD) & CAPACITOR RUN CONTROL (CRC) CONTROL BOXES

SPECIFICATIONS

- Bottom Knockout: Two 0.88" knockouts and one 1.31" knockout
- Side Knockout: One 0.88" knockout and one 1.31" knockout on each side
- Terminal Block: Five terminals provided for wiring up to AWG #10 wire

DIMENSIONS

Box Type	HP / kW	Enclosure Size	Motor Carton Size (in)			Shipping Wt.	
			W	H	L	lbs	kg
Quick Disconnect (QD)	1/3 / 0.25	QD	5.5	3.25	9	4	1.8
	1/2 / 0.37						
	3/4 / 0.55						
	1 / 0.75						
Capacitor Run Control (CRC)	1/2 / 0.37	QD	5.5	3.25	9	5	2.3
	3/4 / 0.55						
	1 / 0.75						





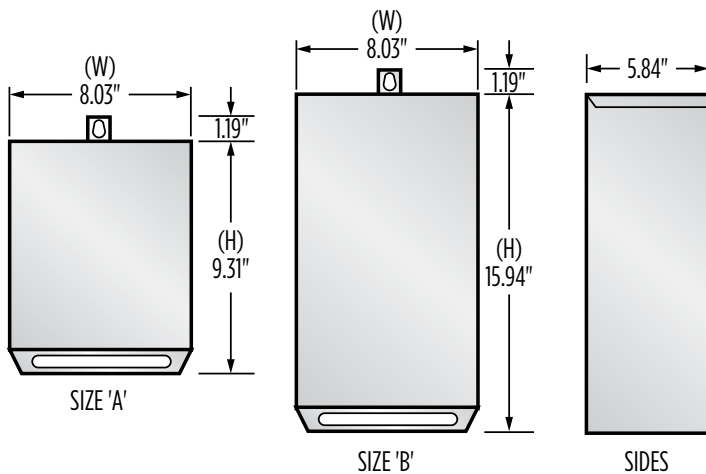
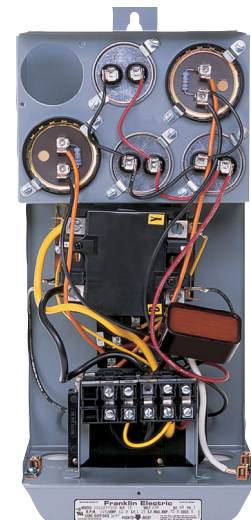
CONTROLS - STANDARD & DELUXE CONTROL BOXES

SPECIFICATIONS

- Knockouts: Two 1.31" diameter holes for 1" conduit connection; One 1.75" knockout for 1.25" conduit; One 0.88" knockout for 0.5" conduit connection
- Terminal Block: Six terminals provided for wiring up to AWG 2 wire

DIMENSIONS

Box Type	HP / kW	Enclosure Size	Motor Carton Size (in)			Shipping Wt.	
			W	H	L	lbs	kg
Standard	1.5 / 1.1	A	8.125	6.25	11.25	7	3.2
	2 / 1.5	A	8.125	6.25	11.25	7	3.2
	3 / 2.2	A	8.125	6.25	11.25	7	3.2
	5 (60 Hz) / 3.7	A	8.125	6.25	11.25	8	3.6
	5 (50 Hz) / 3.7	B	8.125	6.25	18	8	3.6
	7.5 / 5.5	B	8.125	6.25	18	12	5.5
Deluxe	10 / 7.5	B	8.125	6.25	18	14	6.4
	2 / 1.5	A	8.125	6.25	11.25	7.0	3.2
	3 / 2.2	A	8.125	6.25	11.25	7.3	3.3
	5 / 3.7	B	8.125	6.25	18	11.2	5.1
	7.5 / 5.5	B	8.125	6.25	18	13.1	6.0
	10 / 7.5	B	8.125	6.25	18	14.7	6.7
	15 / 11	B	8.125	6.25	18	16.5	7.5
	15 (XL) / 11	C	16	7.125	19	28.0	12.7

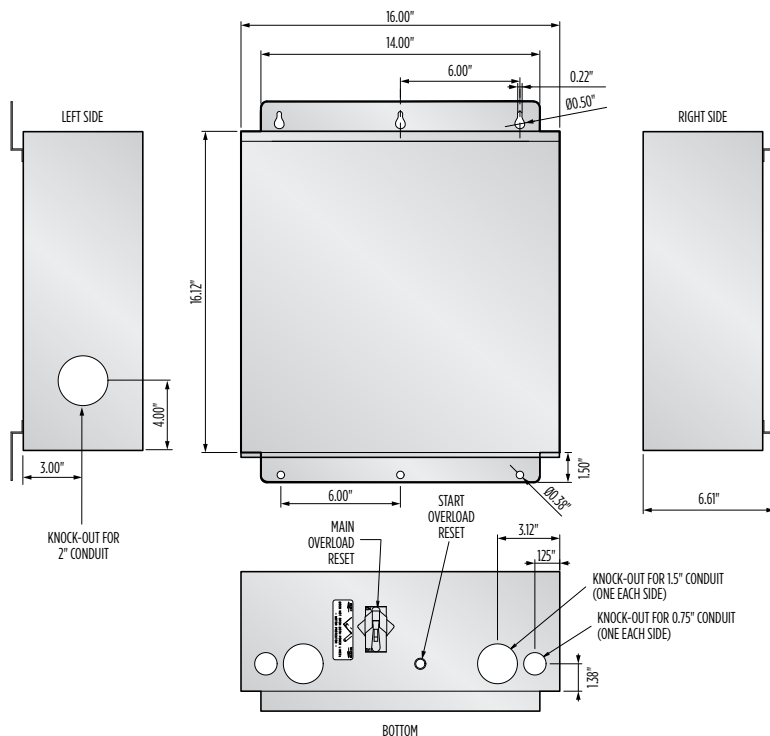


CONTROLS - EXTRA LARGE DELUXE (D-XL) CONTROL BOXES

SPECIFICATIONS

- Bottom Knockouts: Two knockouts for 0.75" conduit, and two for 1.5" conduit
- Side Knockouts: One knockout for 2" conduit
- Terminal Block: Two terminals provided for incoming power and three terminals provided for drop cable for conductors from AWG 14 to 00
- Control Switch Terminal Block: Accepts conductors from AWG 20 to 6

DIMENSIONS





CONTROLS - CONTROL BOX PARTS

QD 60 HZ

HP / Voltage	Model No.	Rating	No. Req.	Component Part No.	Kit Order No.
1/3 / 115	280 102 4915	Start Capacitor 159-191 MFD, 110 V	1	275 464 125	305 207 925
		QD Relay		223 415 905	305 101 905
1/3 / 230	280 103 4915	Start Capacitor 43-53 MFD, 220 V		275 464 126	305 207 926
		QD Relay		223 415 901	305 101 901
1/2 / 115	280 104 4915	Start Capacitor 250-300 MFD, 125 V		275 464 201	305 207 951
		QD Relay		223 415 906	305 101 906
1/2 / 230	280 105 4915	Start Capacitor 59-71 MFD, 220 V		275 464 105	305 207 905
		QD Relay		223 415 902	305 101 902
3/4 / 230	280 107 4915	Start Capacitor 86-103 MFD, 220 V		275 464 118	305 207 918
		QD Relay		223 415 903	305 101 903
1 / 230	280 108 4915	Start Capacitor 105-126 MFD, 220 V		275 464 113	305 207 913
		QD Relay		223 415 904	305 101 904
1/2 / 230	CRC 282 405 5015	Start Capacitor 43-53 MFD, 220 V		275 464 126	305 207 926
		Run Capacitor 15 MFD, 370 V		156 362 101	305 203 907
		QD Relay		223 415 912	305 105 901
3/4 / 230	CRC 282 407 5015	Start Capacitor 59-71 MFD, 220 V		275 464 105	305 207 905
		Run Capacitor 23 MFD, 370 V		156 362 102	305 203 908
		QD Relay		223 415 913	305 105 902
1 / 230	CRC 282 408 5015	Start Capacitor 86-103 MFD, 220 V		275 464 118	305 207 918
		Run Capacitor 23 MFD, 370 V		156 362 102	305 203 908
		QD Relay	223 415 914	305 105 903	

QD 50 HZ

HP / Voltage	Model No.	Rating	No. Req.	Component Part No.	Kit Order No.
1/3 / 220	280 353 0115	Start Capacitor 43-53 MFD, 220 V	1	275 461 123	305 205 923
		Capacitor Overload Assembly		151 033 957	305 218 957
		Relay 220 V		155 031 112	305 213 912
1/2 / 220	280 355 0115	Start Capacitor 43-53 MFD, 220 V		275 461 123	305 205 923
		Capacitor Overload Assembly		151 033 957	305 218 957
		Relay 220 V		155 031 112	305 213 912
1.75 / 220	280 357 0115	Start Capacitor 59-71 MFD, 220 V		275 461 108	305 205 908
		Capacitor Overload Assembly		151 033 918	305 218 918
		Relay 220 V		155 031 112	305 213 912
1 / 220	280 358 0115	Start Capacitor 86-103 MFD, 220 V		275 461 106	305 205 906
		Capacitor Overload Assembly		151 033 906	305 218 906
		Relay 220 V		155 031 112	305 213 912

QD OLD STYLE

Description	Rating	No. Req.	Component Part No.	Kit Order No.
Voltage Relay Kit	115 V w/ Bracket and Screws	1	155 031 901	305 102 901
	230 V w/ Bracket and Screws		155 031 902	305 102 902
	208 V w/ Bracket and Screws		155 031 903	305 102 903
Capacitor Overload Assembly	1/3 hp, 115 V		151 033 973	305 218 973
	1/3 hp, 230 V		151 033 974	305 218 974
	1/2 hp, 115 V		151 033 975	305 218 975
	1/2 hp, 230 V		151 033 976	305 218 976
	3/4 hp, 230 V		151 033 978	305 218 978
	1 hp, 230 V		151 033 979	305 218 979
Overload Kit	1.5 hp, 230 V		151 033 980	305 218 980
	1/3 hp, 115 V		N/A	305 100 901
	1/3 hp, 230 V		N/A	305 100 902
	1/2 hp, 115 V	N/A	305 100 903	
	1/2 hp, 230 V	N/A	305 100 904	
	3/4 hp, 230 V	N/A	305 100 905	
	1 hp, 230 V	N/A	305 100 906	

NOTE: Some Franklin motors, controls, and parts are non-stock items and may need to be special ordered

CONTROLS - CONTROL BOX PARTS

STANDARD 60 HZ

HP	Model No.	Rating	No. Req.	Component Part No.	Kit Order No.
1/1.5 - 4"	282 300 8110	Start Capacitor 105-126 MFD, 220 V	1	275 464 113	305 207 913
		Run Capacitor 10 MFD, 370 V		155 328 102	305 204 902
		Overload		275 411 107	305 215 907
		Relay - 230 V*		155 031 102	305 213 902
2 - 4"	282 301 8110	Start Capacitor 105-126 MFD, 220 V		275 464 113	305 207 913
		Run Capacitor 20 MFD, 370 V		155 328 103	305 204 903
		Start Overload		275 411 117	305 215 917
		Run Overload		275 411 113	305 215 913
3 - 4"	2823028110	Relay - 230 V*		155 031 102	305 213 902
		Start Capacitor 208-250 MFD, 220 V		275 463 111	305 206 911
		Run Capacitor 45 MFD, 370 V		155 327 109	305 203 909
		Start Overload		275 411 118	305 215 918
5 - 4" & 6"	282 113 8110	Run Overload	275 411 115	305 215 915	
		Relay - 230 V*	155 031 102	305 213 902	
		Start Capacitor 270-324 MFD, 330 V	275 468 119	305 208 919	
		Run Capacitor 40 MFD, 370 V	155 327 114	305 203 914	
7.5 - 6"	282 201 9210	Start Overload	275 411 119	305 215 919	
		Run Overload	275 406 102	305 214 902	
		Relay - 230 V*	155 031 601	305 213 961	
		Start Capacitor 270-324 MFD, 330 V	275 468 119	305 208 919	
10 - 6"	282 202 9230	Start Capacitor 216-259 MFD, 330 V	275 468 118	305 208 918	
		Run Capacitor 45 MFD, 370 V	155 327 109	305 203 909	
		Start Overload	275 411 102	305 215 902	
		Run Overload	275 406 122	305 214 922	
All	All	Relay - 230 V*	155 031 601	305 213 961	
		Start Capacitor 270-324 MFD, 330 V	275 468 119	305 208 919	
		Start Capacitor 130-154 MFD, 330 V	275 463 120	305 206 920	
		Start Capacitor 216-259 MFD, 330 V	275 468 118	305 208 918	
208 V Relay *	208 V Relay *	Run Capacitor 35 MFD, 370 V	155 327 102	305 203 902	
		Start Overload	275 406 103	305 214 903	
		Run Overload	155 409 101	155 409 101	
		Relay - 230 V*	155 031 601	305 213 961	
All	All	Lightning Arrestor	150 814 902	150 814 902	
		Relay 1.5-3 hp (replaces 155031102)	155 031 103	305 213 903	
		Relay 5-15 hp (replaces 155031601)	155 031 602	305 213 904	

STANDARD 50 HZ

HP / Voltage	Model No.	Rating	No. Req.	Component Part No.	Kit Order No.
1.5 / 220	282 350 8110	Start Capacitor 105-126 MFD, 220 V	1	275 464 113	305 207 913
		Run Capacitor 10 MFD, 370 V		155 328 102	305 203 909
		Overload Assembly - Run		275 411 114	305 215 914
		Relay 220 V		155 031 112	305 213 912
2 / 220	282 351 8110	Start Capacitor 189-227 MFD, 220 V		275 468 115	305 208 915
		Run Capacitor 20 MFD, 370 V		155 328 103	305 204 903
		Overload Assembly - Run		275 411 102	305 215 902
		Overload Assembly - Start		275 411 106	305 215 906
3 / 220	282 352 8110	Relay 220 V		155 031 112	305 213 912
		Start Capacitor 270-324 MFD, 220 V		275 468 119	305 208 919
		Run Capacitor 35 MFD, 370 V		155 327 102	305 203 902
		Overload Assembly - Run		275 406 107	305 214 907
5 / 220	282 253 9010	Overload Assembly - Start	275 411 107	305 215 907	
		Relay 220 V	155 031 112	305 213 912	
		Start Capacitor 189-227 MFD, 220 V	275 461 115	305 208 915	
		Run Capacitor 30 MFD, 220 V	155 327 101	305 203 901	
5 / 220	282 253 9010	Run Capacitor 45 MFD, 220 V	155 327 109	305 203 909	
		Overload Assembly - Run	275 406 102	305 214 902	
		Overload Assembly - Start	275 411 102	305 215 902	
		Relay 220 V	155 031 112	305 213 912	

NOTE: Some Franklin motors, controls, and parts are not stock items and may need to be special ordered

* For 208 V systems or where line voltage is between 200 V and 210 V, a low voltage relay and larger cable are required. Use relay part number 155 031 103 in place of 155 031 102 on 1.5 through 3 hp applications; Use relay 115 031 602 for 5-15 hp applications; use the next size larger cable than is specified in the 230 V table; boost transformers are an alternative to special relay and cable



CONTROLS - CONTROL BOX PARTS

DELUXE

HP Size / Model No.	Model No.	Rating	No. Req.	Component Part No.	Kit Order No.
2 - 4"	282 301 8310	Start Capacitor 105-126 MFD, 220 V	1	275 464 113	305 207 913
		Run Capacitor 20 MFD, 370 V	1	155 328 103	305 204 903
		Start Overload	1	275 411 117	305 215 917
		Run Overload	1	275 411 113	305 215 913
		Contactator	1	155 325 102	305 226 901
		Relay - 230 V*	1	155 031 102	305 213 902
3 - 4"	282 302 8310	Start Capacitor 208-250 MFD, 220 V	1	275 463 111	305 206 911
		Run Capacitor 45 MFD, 370 V	1	155 327 109	305 203 909
		Start Overload	1	275 411 118	305 215 918
		Run Overload	1	275 411 115	305 215 915
		Contactator	1	155 325 102	305 226 901
		Relay - 230 V*	1	155 031 102	305 213 902
5 - 4" & 6"	282 113 9310	Start Capacitor 270-324 MFD, 330 V	1	275 468 119	305 208 919
		Run Capacitor 40 MFD, 370 V	2	155 327 114	305 203 914
		Start Overload	1	275 411 119	305 215 919
		Run Overload	1	275 406 102	305 214 902
		Contactator	1	155 326 101	305 347 903
		Relay - 230 V*	1	155 031 601	305 213 961
7.5 - 6"	282 201 9310	Start Capacitor 270-324 MFD, 330 V	1	275 468 119	305 208 919
		Start Capacitor 216-259 MFD, 330 V	1	275 468 118	305 208 918
		Run Capacitor 45 MFD, 370 V	1	155 327 109	305 203 909
		Start Overload	1	275 411 102	305 215 902
		Run Overload	1	275 406 121	305 214 921
		Contactator	1	155 326 102	305 347 902
		Relay - 230 V*	1	155 031 601	305 213 961
10 - 6"	282 202 9330	Start Capacitor 270-324 MFD, 330 V	1	275 468 119	305 208 919
		Start Capacitor 130-154 MFD, 330 V	1	275 463 120	305 206 920
		Start Capacitor 216-259 MFD, 330 V	1	275 468 118	305 208 918
		Run Capacitor 35 MFD, 370 V	2	155 327 102	305 203 902
		Start Overload	1	275 406 103	305 214 903
		Run Overload	1	155 409 101	155 409 101
		Contactator	1	155 326 102	305 347 902
15 - 6"	282 203 9330	Relay - 230 V*	1	155 031 601	305 213 961
		Start Capacitor 270-324 MFD, 330 V	2	275 468 119	305 208 919
		Start Capacitor 161-193 MFD, 330 V	1	275 463 122	305 206 912
		Run Capacitor 45 MFD, 370 V	3	155 327 109	305 203 909
		Start Overload	1	275 406 103	305 214 903
		Run Overload	1	155 409 102	155 409 102
		Contactator	1	155 429 101	305 347 901
15 - 6"	282 203 9621 (X-Large Enclosure)	Relay - 230 V*	1	155 031 601	305 213 961
		Start Capacitor 350-420 MFD, 330 V	2	275 468 120	305 208 920
		Run Capacitor 45 MFD, 370 V	3	155 327 109	305 203 909
		Start Overload	1	275 406 103	305 214 903
		Run Overload	1	155 409 102	155 409 102
		Contactator	1	155 429 101	305 347 901
All	All	Lightning Arrestor	1	150 814 902	150 814 902
208 V Relay*	208 V Relay*	Relay 1.5-3 hp (replaces 155 031 102)	1	155 031 103	305 213 903
		Relay 5-15 hp (replaces 155 031 601)	1	155 031 602	305 213 904

NOTE: Some Franklin motors, controls & parts are not stock items and may need to be special ordered

*For 208 V systems or where line voltage is between 200 V and 210 V, a low voltage relay and larger cable are required. Use relay part number 155 031 103 in place of 155 031 102 on 1.5 through 3 hp applications; use relay 115 031 602 for 5-15 hp applications; use the next size larger cable than is specified in the 230 V table; boost transformers are an alternative to special relay and cable

CONTROLS - SUBMONITOR CONNECT

ELECTRONIC OVERLOAD MOTOR PROTECTION

- Wide range, adjustable, class 5-30 electronic overload
- Dry pump detection protects your pump and motor from adverse conditions and allows for time-based automatic restart with well recovery mode
- Industry-leading motor protection for the following conditions: over/under power (dry-run), over/under voltage protection, voltage phase loss, voltage and current phase unbalance, locked rotor, cycle fault, ground fault
- Easy access to input and output terminals
- 32-character, backlit, NEMA 4x, wash-down rated screen mounted on front of panel allowing for safe viewing of conditions while motor is running
- Motor insulation check



REAL-TIME & DATE-STAMPED FAULT LOGGING

- Unit ships with a pre-programmed real time clock with a 10-year battery backup
- Contains separate fault, configuration change, and start logs. Independent logs allow user to see last fault even if it occurred years ago
- Fault log tracks 150 faults with date and time stamp accurate down to the second; allows users to diagnose power problems and prove them to your power provider; unit will give users a 'snapshot' of conditions at the time of fault, such as line to line voltage and current, alarms present, and I/O status; format of time stamping example: 7/7/16 10:15:24

APPLICATION-BASED SETUP

- SubMonitor Connect is an advanced, comprehensive, 3-phase motor protection relay that allows users to dial in protection and automation with extreme accuracy and parameter depth; also has a streamlined Basic Setup Wizard to allows user to get up and running quickly
- Nine simple steps to program unit
- Users select between Submersible, Surface, or Custom and SubMonitor pre-populates protection parameters accordingly
- Confirm basic motor info, key protection info, and time to get started.

ORDERING INFORMATION

Description	Part No.
SubMonitor Connect - Standard, 1-135A	5860015010
SubMonitor Connect - Premium, 1-135A	5860005110

OPTIONS

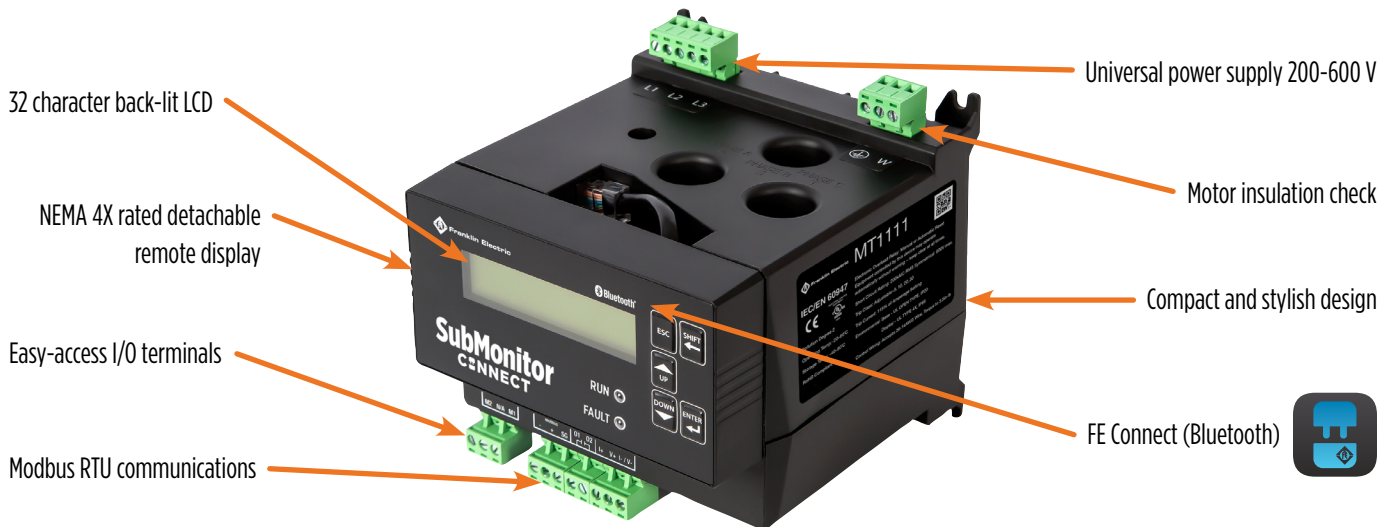
Description	Part No.
SubMonitor Connect Remote Display Assembly	5860015150
Door Mounting Kit	5860015160
External CTs, 120-270 A	5860015170
External CTs, 200-400 A	5860015180
External CTs, 400-1000 A	5860015190



CONTROLS - SUBMONITOR CONNECT

SPECIFICATIONS

Starter Type		
Standard or combination (service rated, suitable for use as a service disconnect)		
NEMA Type 3R Enclosed Outdoor Rated		
User Interface		
Settings Adjustments	32 character, backlit NEMA 4X display.	
Hand/Off/Auto	FE Connect Mobile App connected via Bluetooth	
	Door mounted 3-position switch	
Standard Control Operations		
Input	RS-485	Modbus RTU slave
	PT100/1000	On/Off, adjustable: 0-100 °C, 212 °F
Output	Fault Relay	Normally Open Relay Contact, 1Aa @ 240 VAC
Operational	Overload Type	Electronic, Simulated I ² T trip curve
	Power Fail Modes	Restart in last mode (Hand/Off/Auto)
		Restart in off mode
	On/Off Time Delay	On/Off, adjustable: 1-60 seconds
	Backspin Delay	On/Off, adjustable: 2 seconds - 60 minutes
	Fault Reset	Adjustable: manual or automatic (default differs per motor protection feature)
	Starts	6/hour, 20 seconds max. start time @ 400% FLA, 30 seconds max. start time @ 300% FLA
Environmental		
Ambient Operating Temp	-5 °F to 140 °F (-20 °C to 60 °C)	
Ambient Storage Temp	-5 °F to 185 °F (-20 °C to 85 °C)	
Relative Humidity	5% to 95% non-condensing	
Motor/Soft Starter Protection		
Overload Current Setting Range	Adjustment/Description	Default Setting
Overload Trip Class	Differs per model	Per SFA
Overload Service Factor	Adjustable: 5-30	10
Under Power (Dry Run)	Adjustable: 1.00-2.00	1.15
Over Power	On/Off/Alarm, adjustable: 1-99% of nominal	On / 65%
Under Voltage	On/Off/Alarm, adjustable: 101-200% of nominal	On / 125%
Over Voltage	On/Off/Alarm, adjustable: 80-99% of nominal	On / 90 %
Voltage Phase Loss	On/Off/Alarm, adjustable: 101-125% of nominal	On / 110 %
Ground Fault (UL 1053 Certified)	Always on	On / Trips if below 60 VAC
Cycle Fault	On/Off/Alarm, adjustable: 1-10 Amps	On / 1A
Warm Start Provision	On/Off, Start Limit adjustable: 2-100	On
SMARTSTART™ Protection	On/Off, delays motor restart based on calculated motor temp	On
Current Phase Unbalance	Adjustment/Description	Default Setting
Locked Rotor/Stall	On/Off, adjustable: 1-50%	On / 5%
Out of Calibration	On/Off, trips if current exceeds 300% max. amps for 0.5s	On
Max Time to Start	On/Off, trips after 10 seconds if max. amps setting is incorrect	Off
	On/Off, regardless of max amps or I ² T trip curve, always trip at start if starting current is outside of an acceptable range and still decreasing after 10 seconds	Off



NOTE: Product range is 0.1 to 1000A. External CTs required above 135A.

ACCESSORIES & SERVICES - COUPLINGS

Franklin Electric offers this line of motor-to-pump couplings for maximum customer convenience in matching the Franklin motor to a variety of pump shafts. Couplings are designed to transmit the pump thrust to the motor in order to provide maximum benefits from Franklin's internal thrust bearing construction.

Hardened stainless steel spacer discs in the 4" and 6" couplings assure positive bearing between motor and pump shafts, and assure full support for downward thrust created by the pump.

8" couplings DO NOT contain hardened spacer discs since the motor shaft itself is hardened.

All couplings include Allen head 300 series stainless steel set screws with key included.

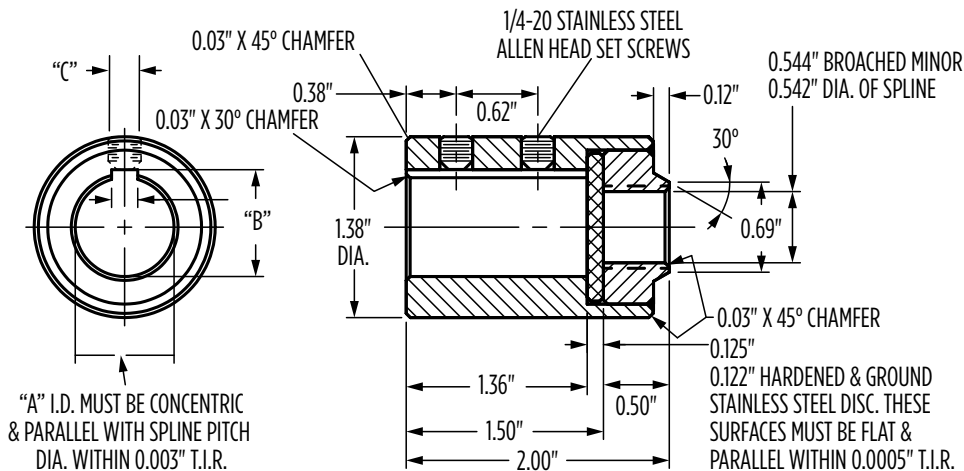
SPECIFICATIONS

Motor Size (in)	Construction	Pump Shaft Dia.	Dimensions (in)			Part No.
			W	D	L	
4	416 SS	3/4	3/16	1/8	1 3/8	151 551 911
	316 SS	3/4	3/16	1/8	1 3/8	151 551 931
6	416 SS	3/4	3/16	1/8	1 3/4	151 935 902
		7/8	1/4	3/16	1 3/4	151 935 901
		1	1/4	3/16	1 3/4	151 935 909
	316 SS	3/4	3/16	1/8	1 3/4	151 935 922
		7/8	1/4	3/16	1 3/4	151 935 921
		1	1/4	3/16	1 3/4	151 935 929
8	416 SS	1	1/4	1/4	2	151 922 901
		1 3/16	1/4	1/4	2	151 922 906
		1 3/16	5/16	5/16	2	151 922 902
		1 1/4	5/16	5/16	2	151 922 903
		1 1/2	3/8	3/8	2	151 922 904
	316 SS	1 3/16	1/4	1/4	2	151 922 926
		1 1/4	5/16	5/16	2	151 922 923
		1 1/2	3/8	3/8	2	151 922 924
		1 11/16	3/8	3/8	2	151 922 929

NOTE: 316 SS couplings are normally used with corrosion-resistant motors



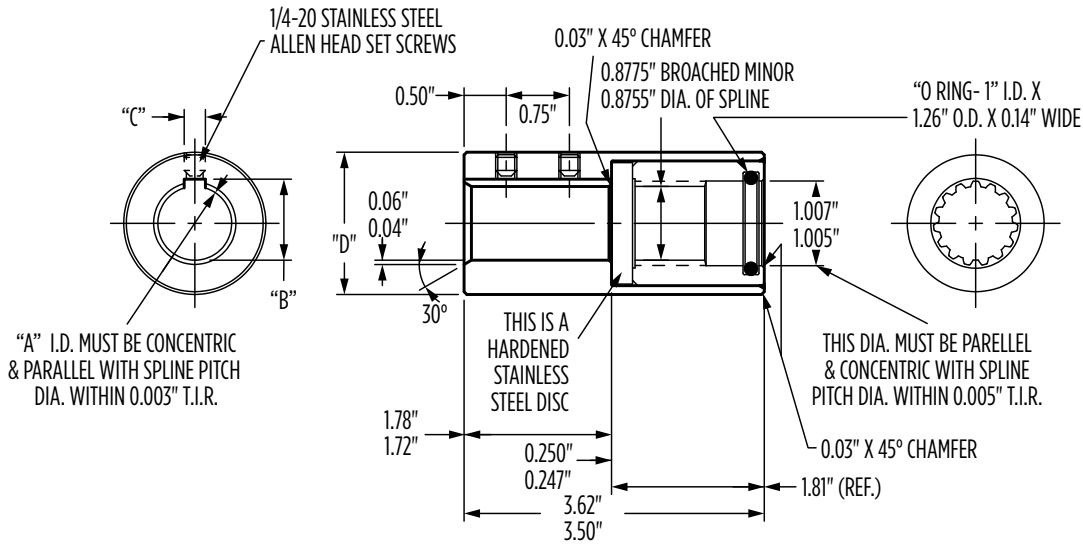
4" DIMENSIONS



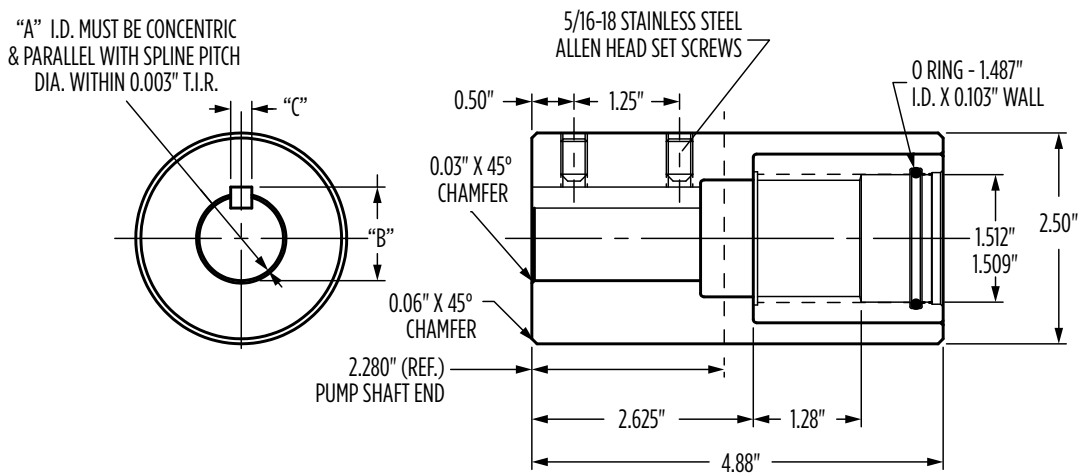


ACCESSORIES & SERVICES - COUPLINGS

6" DIMENSIONS



8" DIMENSIONS



ACCESSORIES & SERVICES - QD SERVICE BOX & SPECIAL SERVICES

QD SERVICE BOX

- Franklin Electric's QD service box is a service tool that provides capability to measure motor amps and line voltage with the motor running
- Fits between the base and cover of an installed QD control box
- Compatible with any Franklin Electric QD or CRC control box
- Meter jacks for measuring voltage while the motor is running
- Clamp-on ammeter access to all three motor leads for installations with jacketed cable or conduit
- Easy to use



Compatible With	Part No.
All QD & CRC Control Box Ratings	305 510 901

SPECIAL SERVICES

Special testing services are available for motors purchased from Franklin Electric. These services must be specified at the time of order and will result in additional lead time.

Calibrated Motor Performance Test	
HP	Motor Diameter
1/3-3	4"
5-10	4"
5-60	6"
40-200	8"

Submergence Performance Test	
HP	Motor Diameter
1/3-2	4" @ 1000 psi (2W = 500 psi)
3-10	4" @ 1000 psi
5-30	6" @ 1000 psi
40-60	6" @ 1000 psi
	8" @ 1000 psi

